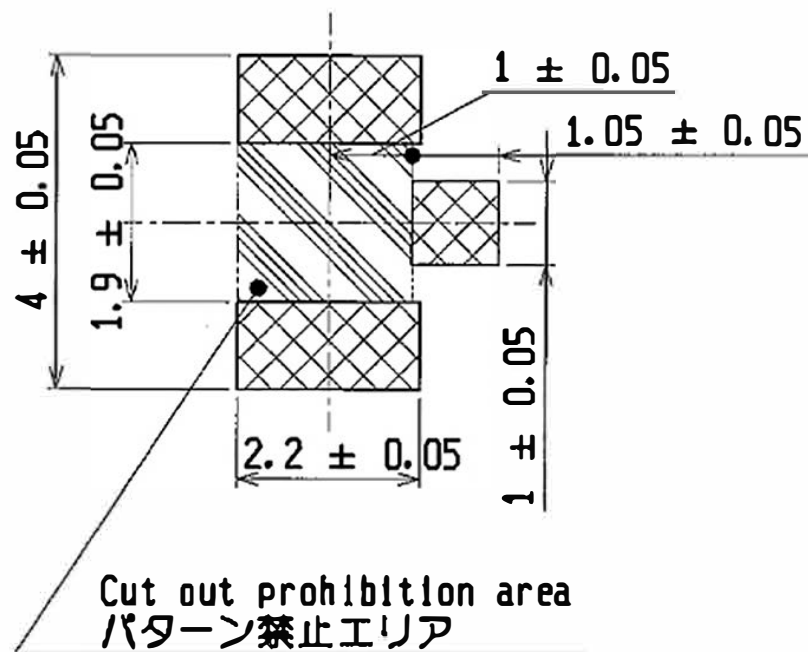
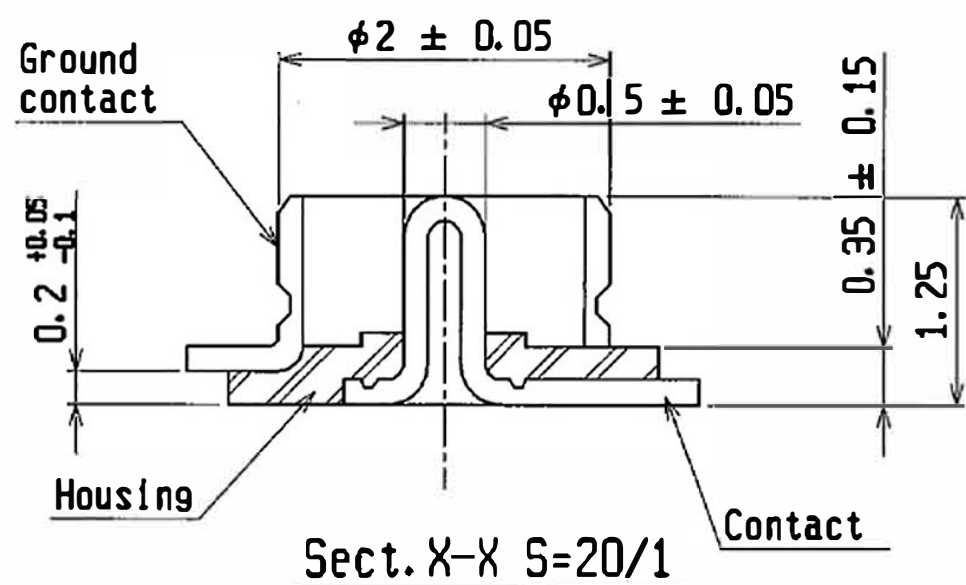
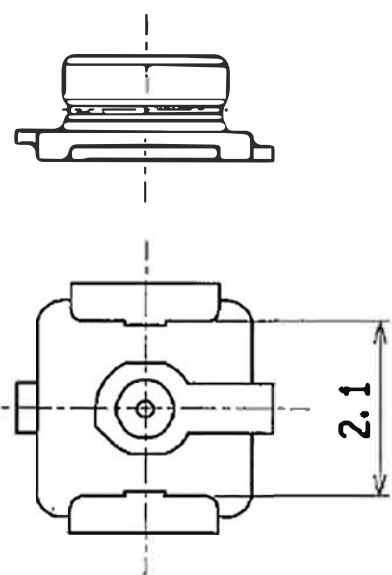
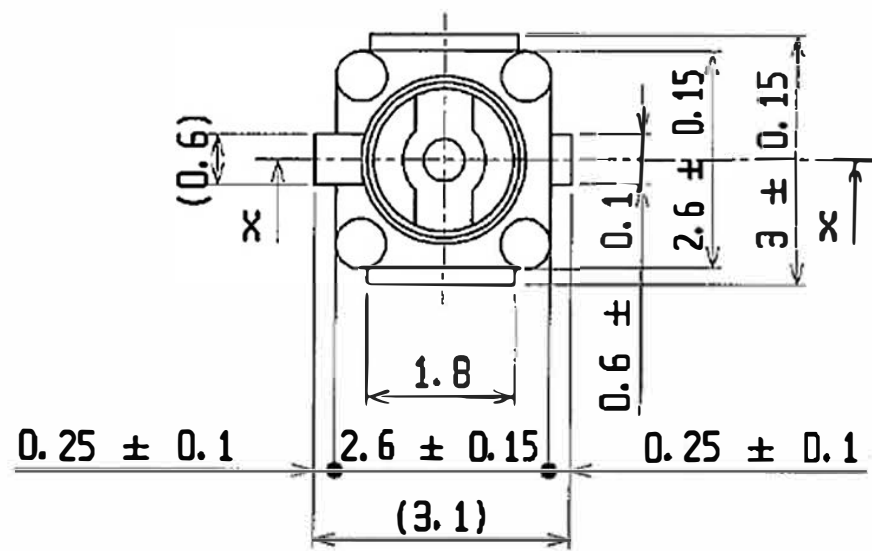


PART NO.
20279-001E-01



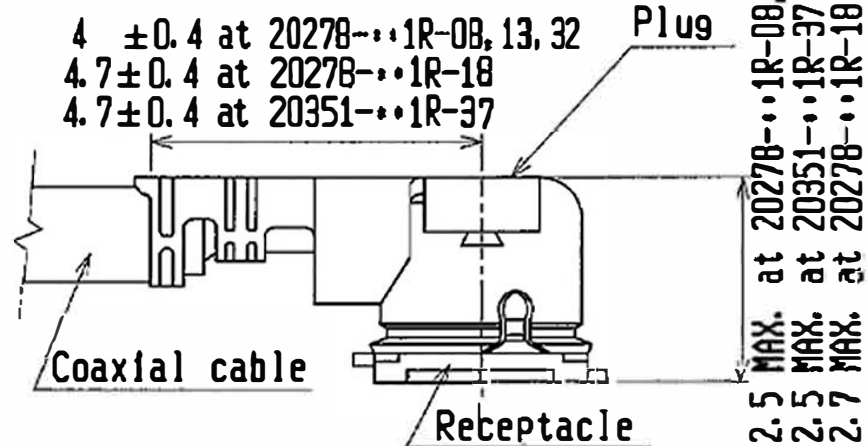
RECOMMENDED FOOTPRINT PATTERN

Notes

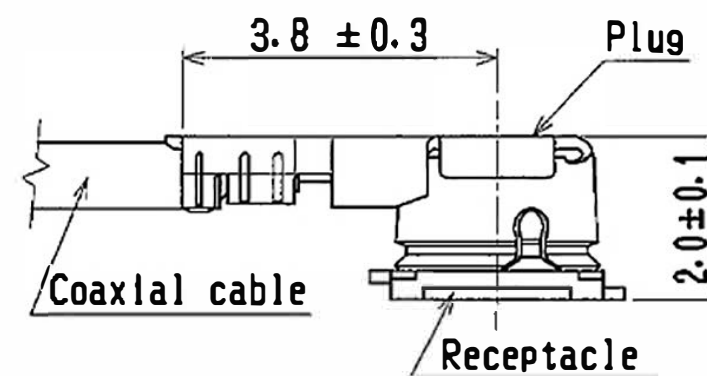
- Material
 - (1) Housing : LCP , UL94V-0 , white
 - (2) Contact : brass
Au 0.1μm MIN. over Ni 1.27μm MIN.
 - (3) Ground contact : phosphor bronze
Au 0.05μm MIN. over Ni 1.27μm MIN.
- Coplanarity : 0.1mm MAX.
- Packing : emboss tape
- Mating partner part No.
 - : 20278-...1R-...
 - : 20311-...1R-08
- This is 'Pb-free' connector.
- RoHS compliant

MATING

Plug P/N 20278-...1R-...
20351-...1R-37



Plug P/N 20311-...1R-08



GENERAL TOLERANCE	
6 MAX.	±0.2
6 OVER MAX. 30	±0.3
30 OVER MAX. 120	±0.5
ANGLE	±2°

REV	ECN	BY	DATE	APP	SERIES No.	2814
4	204337	K.O	SEP/30/04	T.H	DESIGN D BY	DATE
3	22134	K.O	JUN/11/02	K.K	K. Ohbayashi	JUN/07/01
2	22052	A.H	MAR/07/02	K.K	CHK D BY	DATE
1	21197	K.O	AUG/27/01	K.K	E. Kawabe	JUN/07/01
7	203283	K.O	JUN/20/05	T.H	APP D BY	DATE
6	204457	K.O	DEC/20/04	E.K	K. Katayuchi	JUN/07/01
5	204412	K.O	NOV/24/04	E.K	REV. RECORD	
					CUSTOMER COPY	

DESIGN D BY	DATE
K. Ohbayashi	JUN/07/01
CHK D BY	DATE
E. Kawabe	JUN/07/01
APP D BY	DATE
K. Katayuchi	JUN/07/01
CUSTOMER COPY	PROJECTION
	SCALE
	UNIT
	OWG. No.
	SHEET
	REV.



CONNECT MALL
T.1599-6885

TITLE	IPEX_PCB
SCALE	10/1
UNIT	mm
OWG. No.	20279
SHEET	1/1
REV.	7