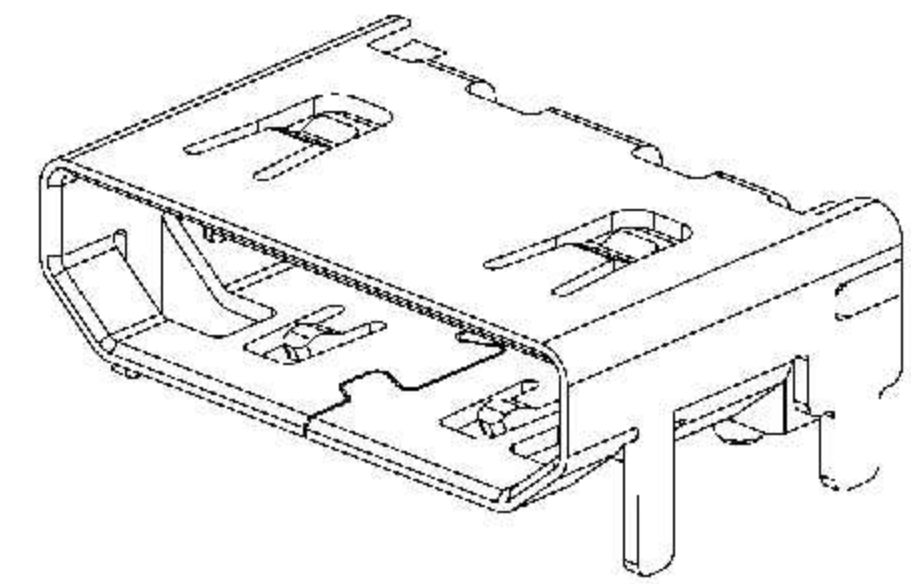
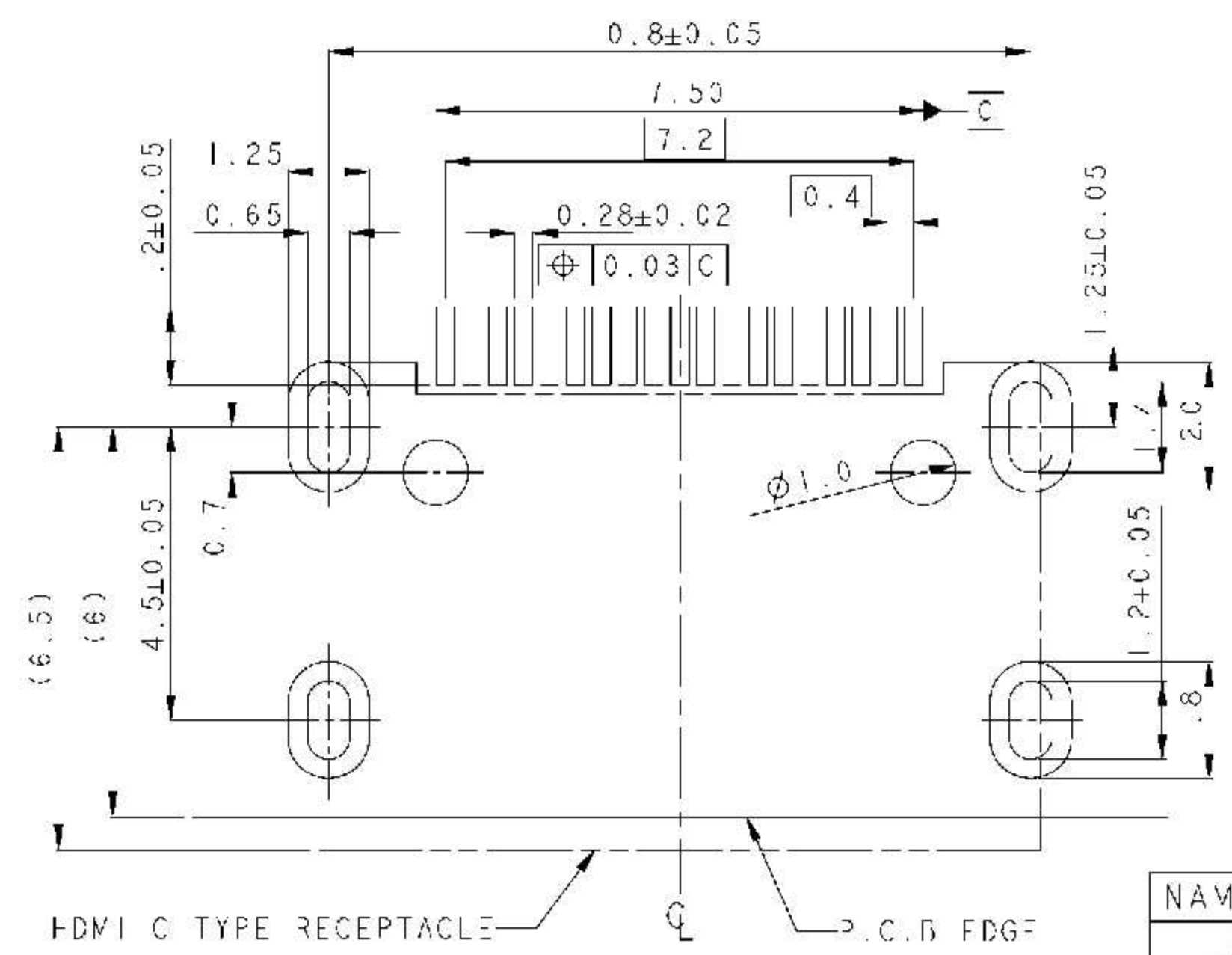
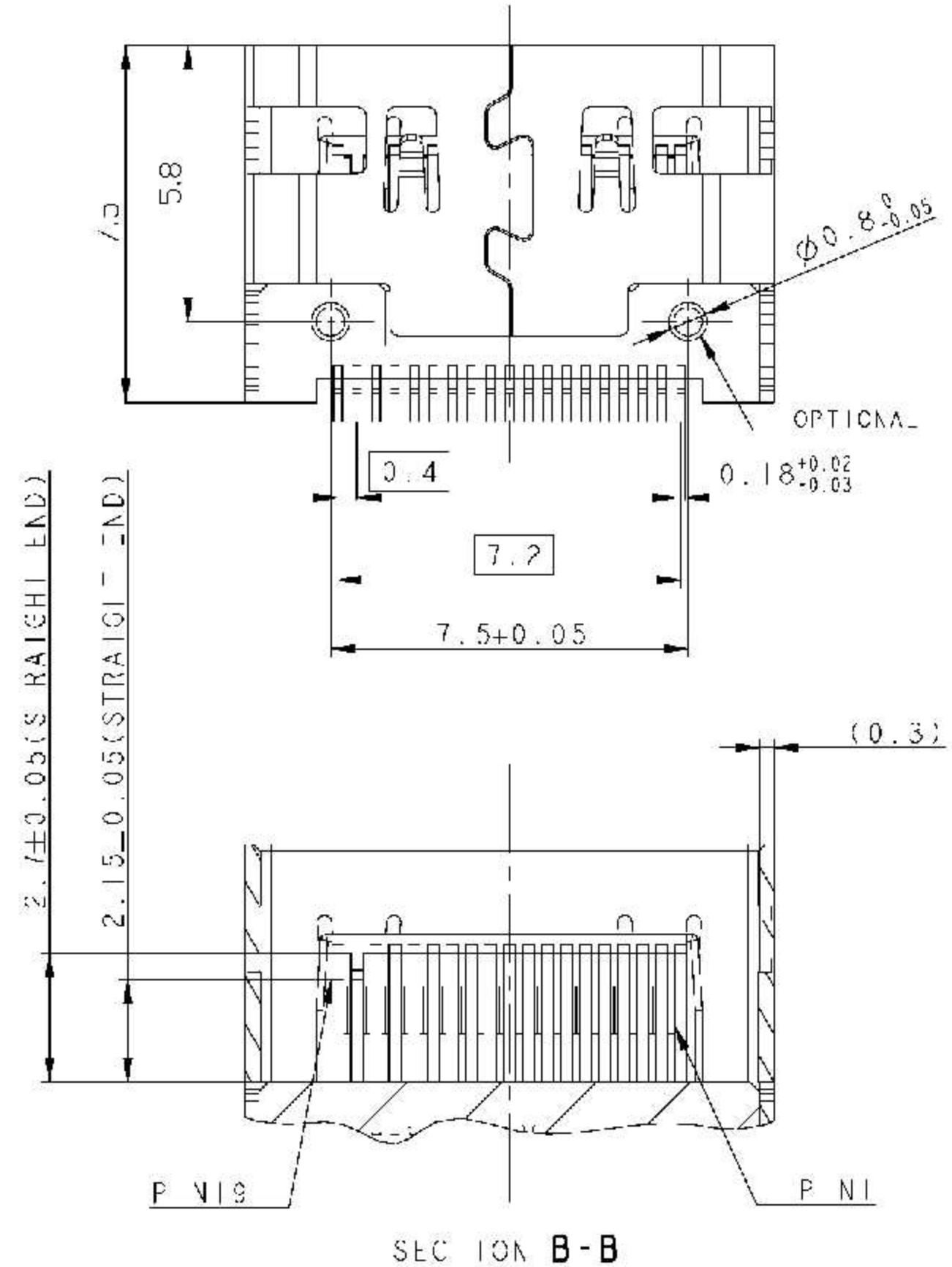


PART NUMBER	DIM. A	DIM. B	DIM. C
10405-019X1			
10405-019X2	1.45	1.20	C.7
10405-019X4			
10405-019X3	1.30	1.55	C.4

REV	DESCR PT ON	MODIFY NUMBER	DATE	DRAWN APPROVED
1-	MODIFY SOLDER TAIL	ECN08010	080722	JY KEVIN
1-2	MODIFY PCB LAYOUT	ECN080809	080813	JY KEVIN
1-3	ADD OPTION	ECN090112	090115	JY KEVIN

MATERIALS :
 HOUSING: HIGH TEMP. PLASTIC, UL94V-0, BLACK
 TERMINAL: COPPER ALLOY
 TERMINAL PLATING: GOLD BY ORDER IN CONTACT AND GOLD FLASH ON SOLDER UNDERPLATING ALL OVER NICKEL.
 SHELL: COPPER ALLOY
 SOLDER PLATING: BY THIRD PARTY



Tolerance Unless Otherwise Specified	
X.X	±0.25
X.XX	+0.20
> mm	±
> mm	±

NAME: HDMI C TYPE RECEPTACLE 27A DIP SHELL, SMT TYPE JNIT mm

RECOMMENDED PCB LAYOUT SCALE 8:1 TOLERANCE=0.05

AUSTONE
 AUHMC-10405-019XX
 AUHMC-10405-019XX