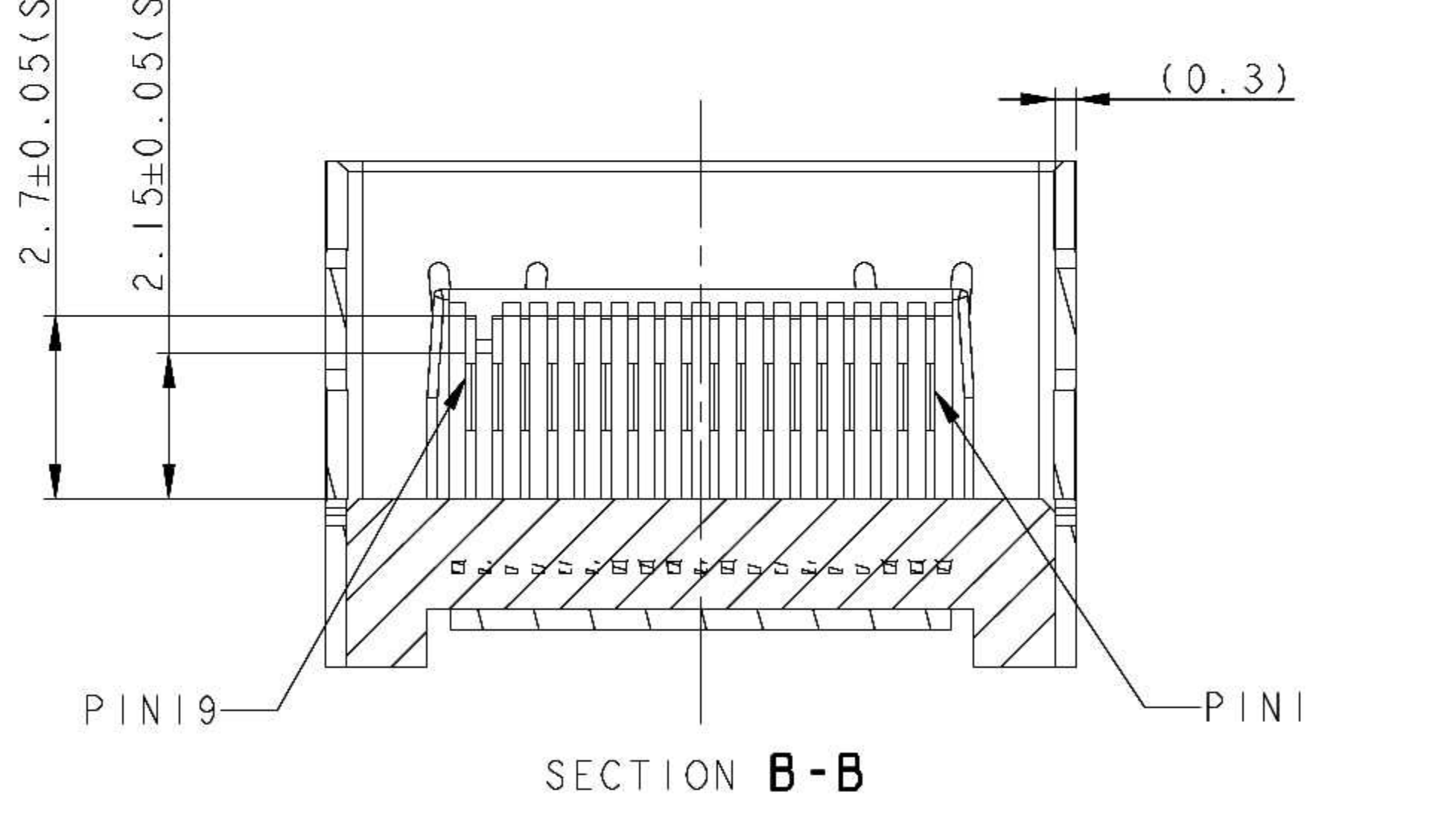
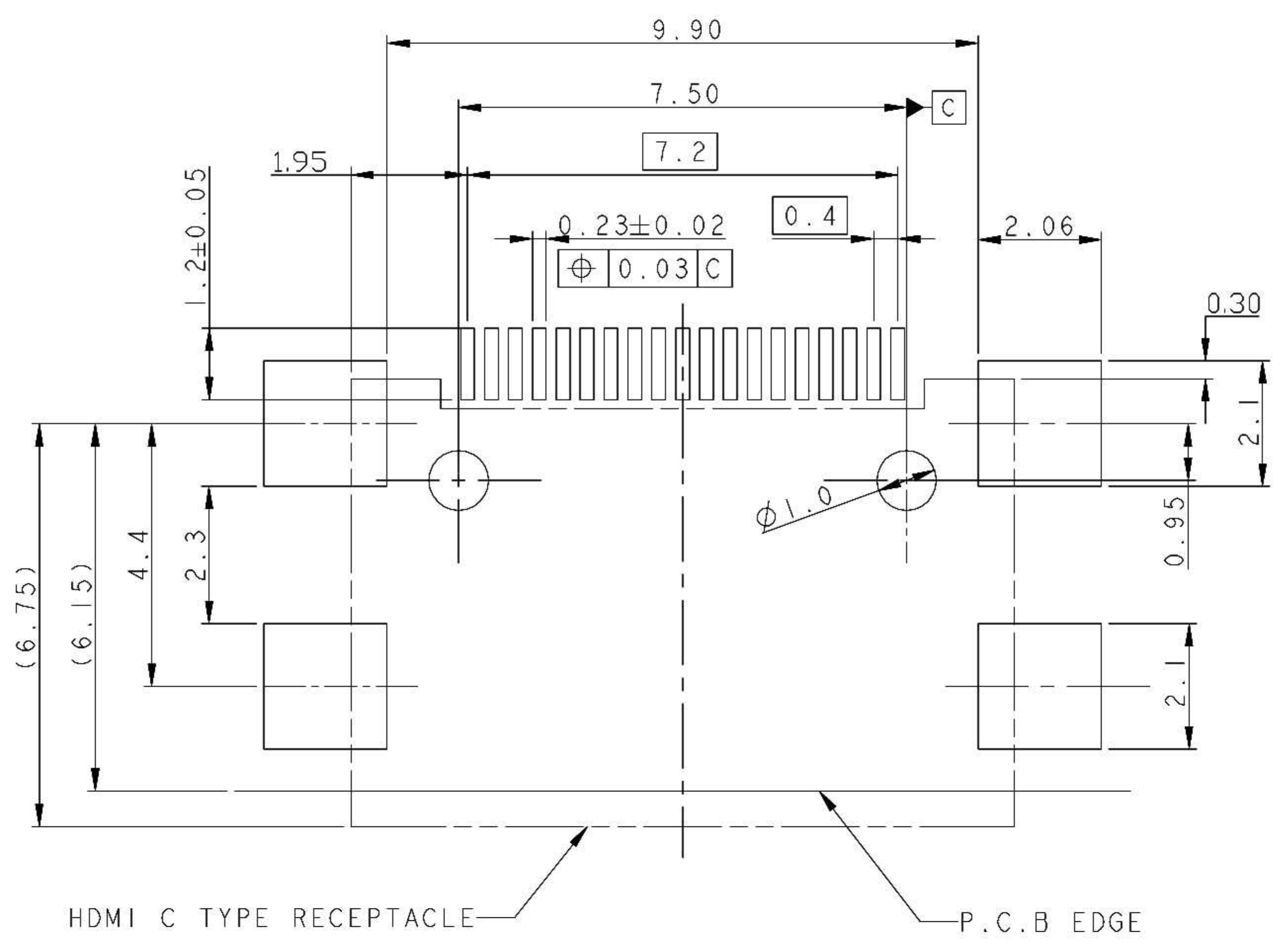
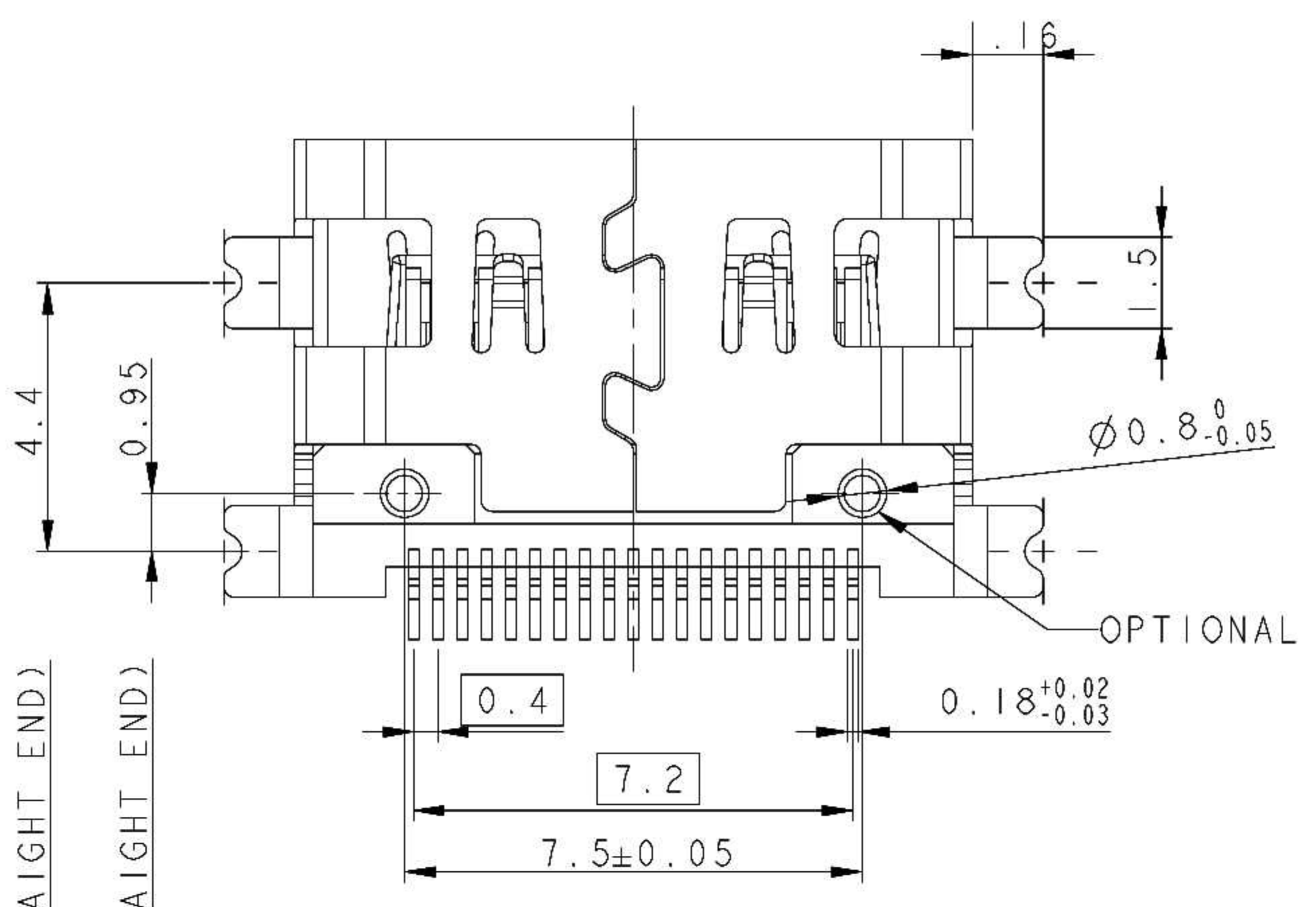
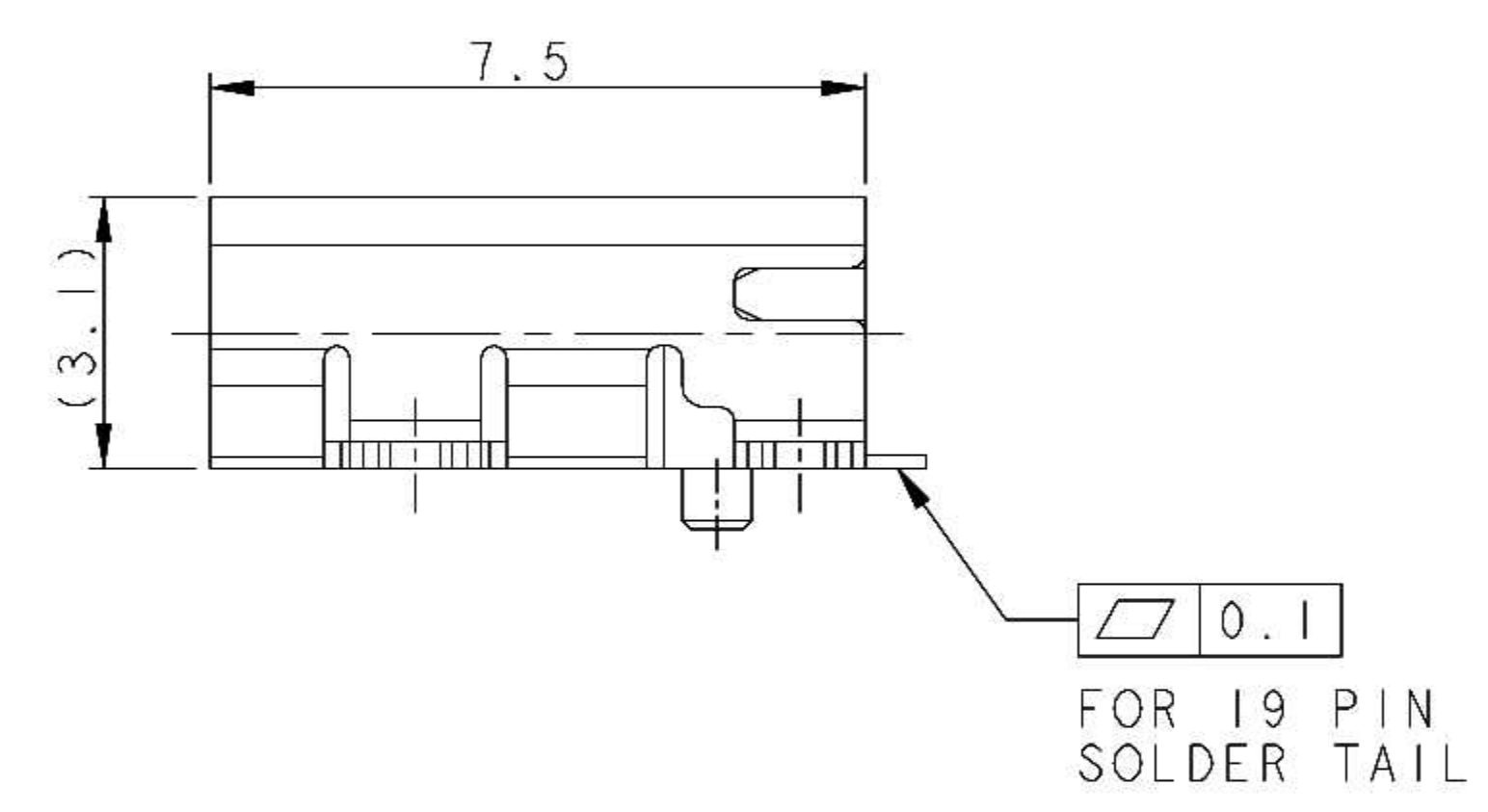
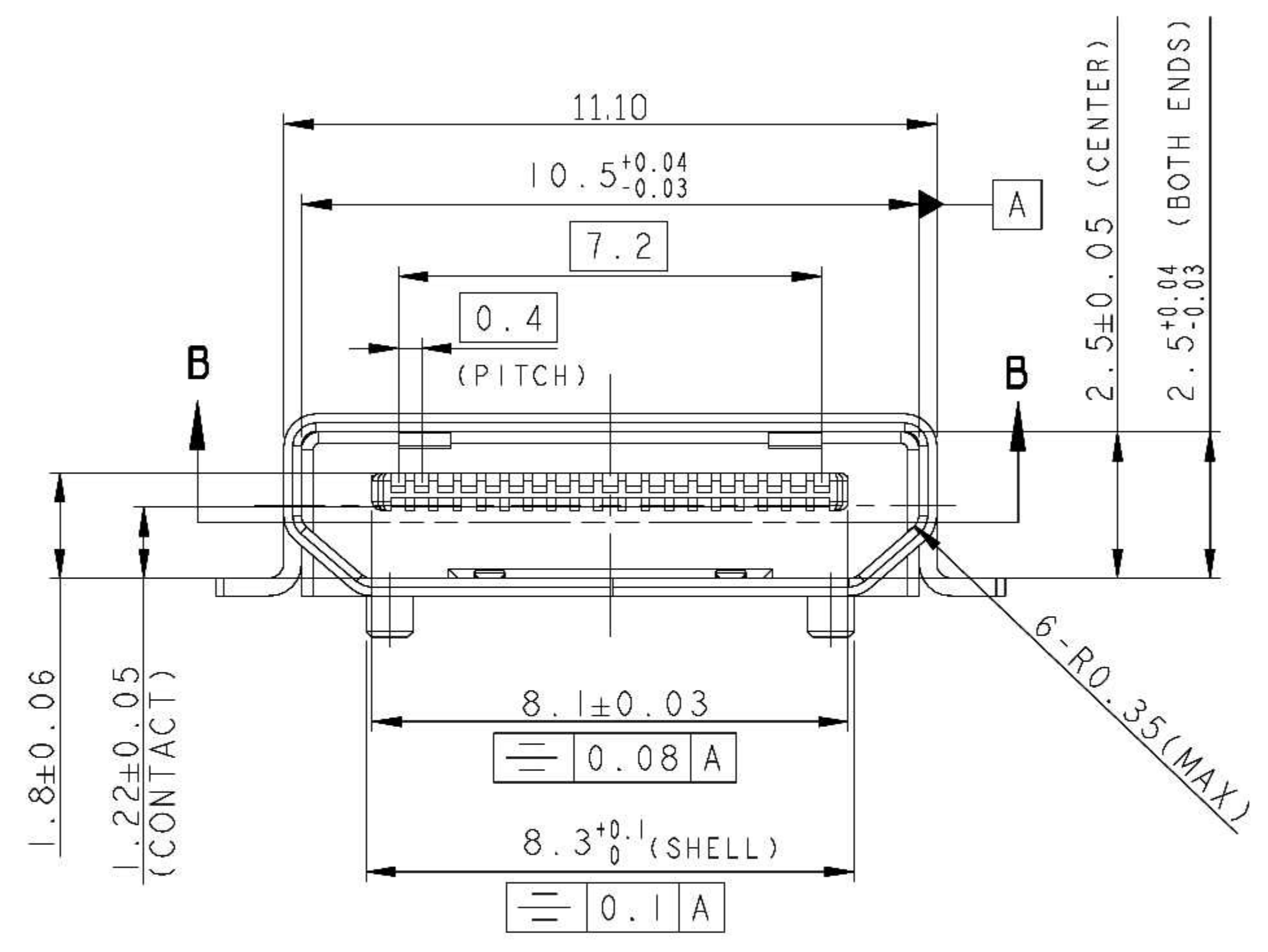


REV	DESCRIPTION	MODIFY NUMBER	DATE	DRAWN	APPROVED
1-0	NEW RELEASE	ECN080605	080605	JOY	JOEY
1-1	MODIFY PLATING OPTION	ECN090211	090219	JOY	KEVIN

MATERIALS :
HOUSING :HIGH TEMP. PLASTIC,UL94V-0,BLACK
TERMINAL :COPPER ALLOY
TERMINAL PLATING :GOLD BY ORDER ON CONTACT
AND GOLD FLASH ON SOLDER
UNDERPLATING ALL OVER NICKEL.
SHELL :COPPER ALLOY
SHELL PLATING :BY ORDER



HDMI C TYPE RECEPTACLE P.C.B EDGE

RECOMMENDED P.C.B. LAYOUT
SCALE 8:1 TOLERANCE ± 0.05

Tolerance Unless Otherwise Specified	
X.X	± 0.25 角度
X.XX	± 0.20 X° $\pm 1^\circ$
>	mm \pm ° > REF \pm
>	mm \pm ° > REF \pm

NAME	HDMI C TYPE RECEPTACLE R/A SMT SHELL, SMT TYPE	UNIT	mm
AUSTONE			
AUHMC-10417-019XX			
AUHMC-10417-019XX			