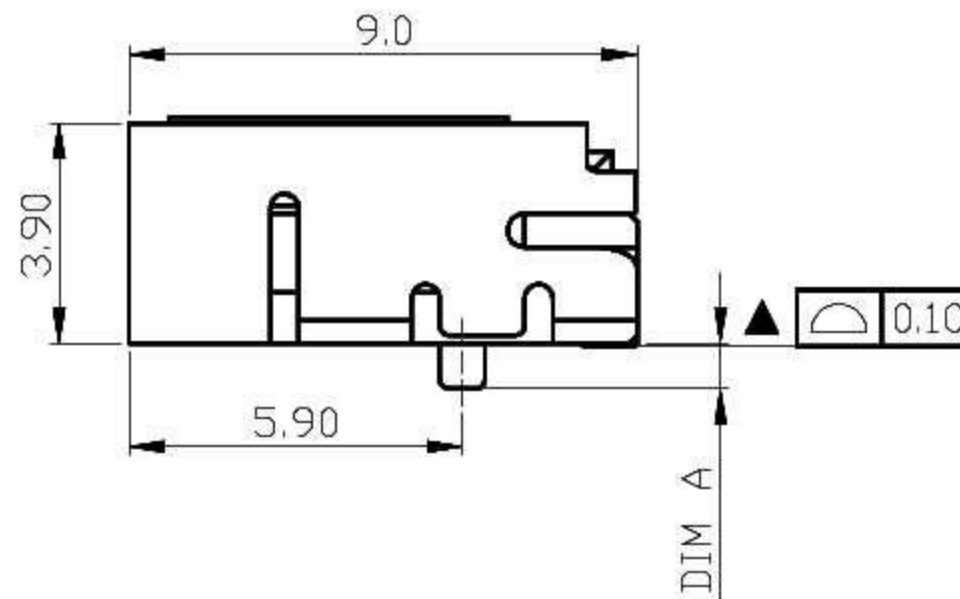
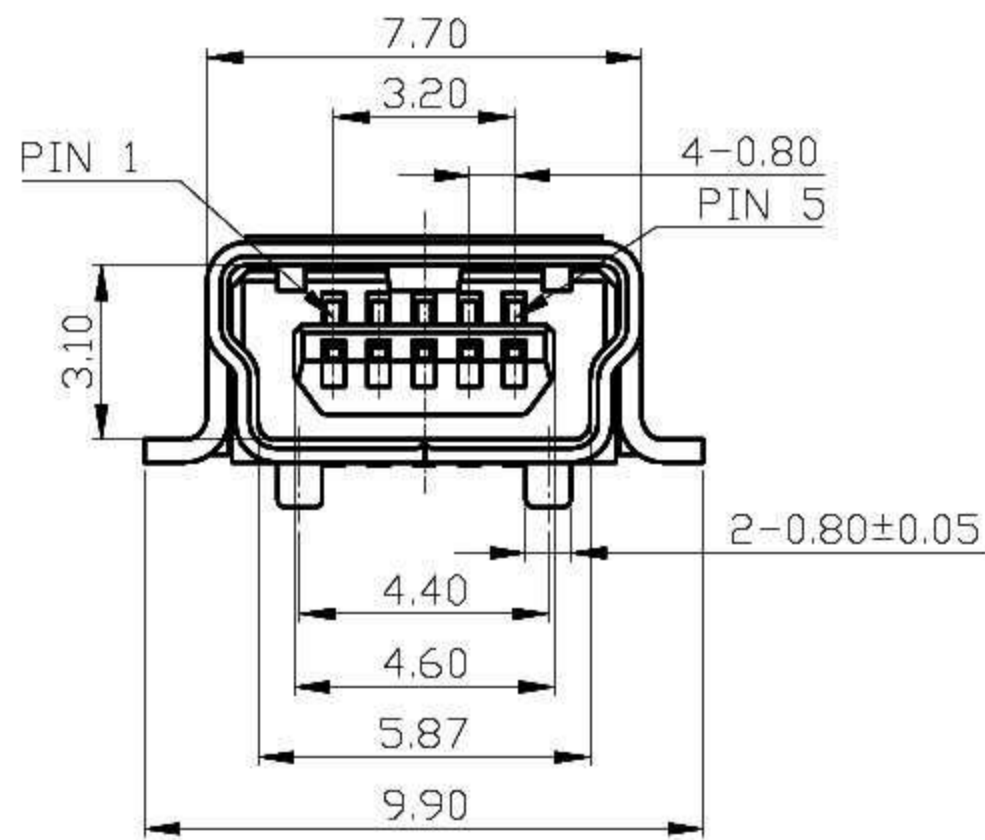
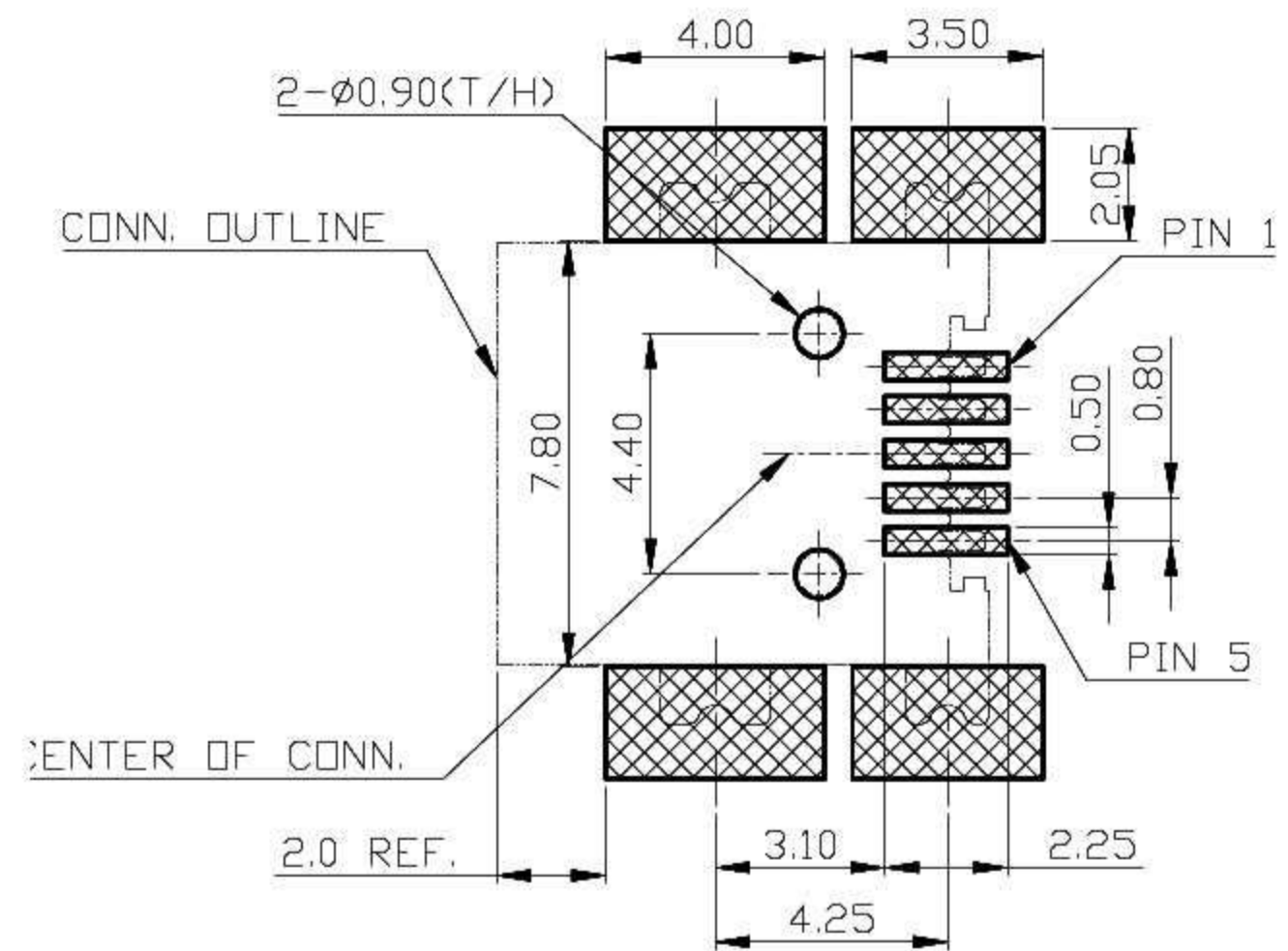


SECTION A-A



NOTES:

- MATERIAL :**
 TERMINAL : COPPER ALLOY,
 HOUSING : THERMOPLASTIC,COLOR IN BLACK , UL94V-0
 SHELL: INFORMATION REFER TO TABLE
- FINISH :**
 TERMINAL:
 UNDERPLATING: NICKEL PLATING FOR ALL 50u' MIN.
 SOLDER TAIL PLATING: TINKLEAD FREE) PLATING 80u' MIN.
 CONTACT AREA IS PLATED GOLD,INFORMATION REFER TO TABLE
 STEEL&COPPER: UNDER PLATING NICKEL FOR ALL 50u'
 MIN.+PLATING MATTE TIN FOR ALL 80u' MIN.
 STEEL&COPPER:UNDER PLATING NICKEL FOR ALL 50u'
 MIN.+PLATING GOLD FLASH FOR ALL
- PACKAGING :** TAPE & REEL,
 REFER TO 1530X-005XX-PK
- PRODUCT SPECIFICATION :**
 REFER TO 1530X-PS
- PART NUMBER :** 1530X-005XX-C



RECOMMEND P.C.B. LAYOUT
 GENERAL TOLERANCE: ±0.05

☒ SOLDER PAD AREA

一般公差	
X.	±---
X.X	±.25
X.XX	±0.15
X.XXX	±---

圖名	MINI USB B TYPE RECEPTACLE FOR SMT 5 PIN				單位	mm	
產品編號	AUMU-15301-00551						
圖號	AUMU-15301-00551						
日期	2008/02/22	11	1-1	1/1	繪圖		

AUSTONE

