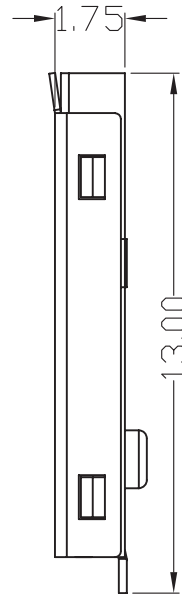
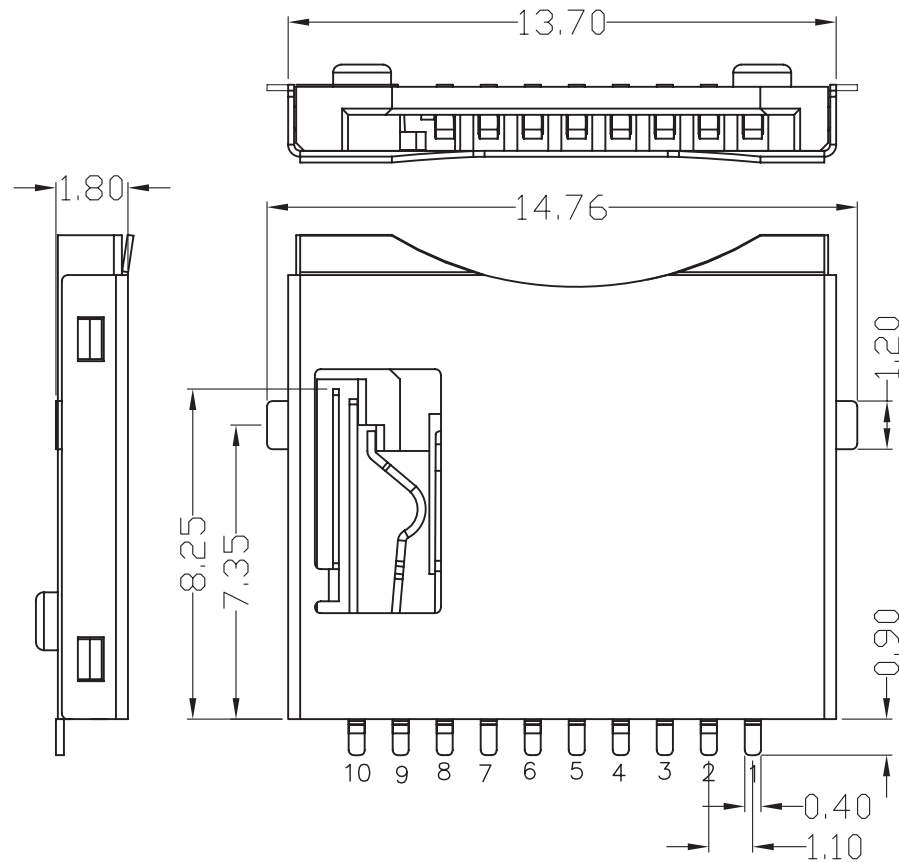


REV.	DESCRIPTION OF REVISIONS	APPR.	DRAW.	RELEASE	DATE
X1					
X2					



SD CARD PIN DESIGN

PIN NO.	NAME
9	DAT2
1	CD/DAT3
2	CMD
3	V _{SS}
4	V _{DD}
5	CLK
6	V _{SS}
7	DAT1
8	DAT0/CD
10	GND

TECHNICAL CHARACTERISTICS

1.General Characteristics

Dimensions: 25.0Lx13.70Wx2.75H mm

Weight: Approx0.40g

Durability: 10,000 cycles min.

2.Electrical Characteristics

Contact resistance: 50mΩ typical, 100mΩ max

Insulation resistance: >1000MΩ/500V DC

3.Solderability

Vapor phase: 215°C, 30sec.Max

IR reflow: 250°C, 5sec.Max

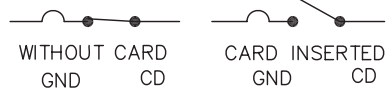
Manual soldering: 370°C, 3sec.Max

4.Environmental Characteristics

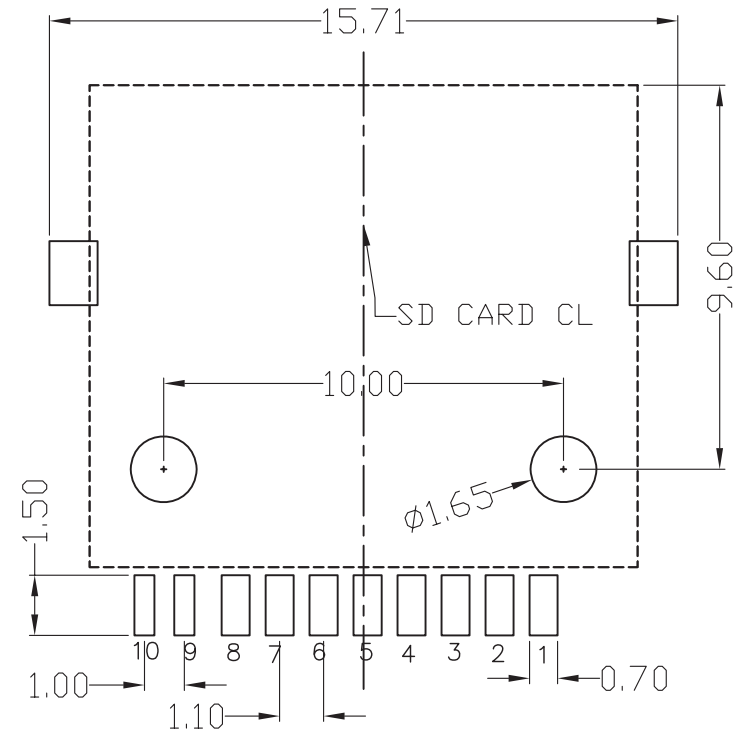
Operating temperature: -40°C~+85°C

Operating humidity: 10%~+95%RH

ELECTRIC FUNCTION	DETECT SWITCH
WITHOUT CARD	CLOSED
CARD INSERTED	OPEN



SWITCH OPERATION DIAGRAM



RECOMMENDED P.C.B LAYOUT
COMPONENT SIDE(TOLERANCE ±0.05)

ITEM	PART NAME	Q'TY	MATERIAL	FINISH
1	HOUSING	1	Hi-temp Thermoplastic	Black UL94V-0
2	DATA CONTACT	10	Copper Alloy	Contact area:Gold plated
3	SHELL	1	Stainless steel	Gold plated on peg


Unless otherwise specified, other tolerance are:



CONNECT MALL

Tel.1599-6005

X ±0.35	X' ±5'	NAME: SD Card Connector
X.X ±0.25	X.X' ±4'	
X.XX ±0.15	X.XX' ±3'	
X.XXX ±0.10	X.XXX' ±2'	
MODEL NO: MSDC-M01810		TYPE: H=1.80 mm 10Pin

PROJ. 	UNIT mm	SCALE 1:1	DRAWN Zoey Aug.10.2010	DWG NO.: DWG-MSDC-M018 10-003
CUSTOMER DRAWING			CHECKED	SHEET 1/2
			APPROVAL	REVISION X1

