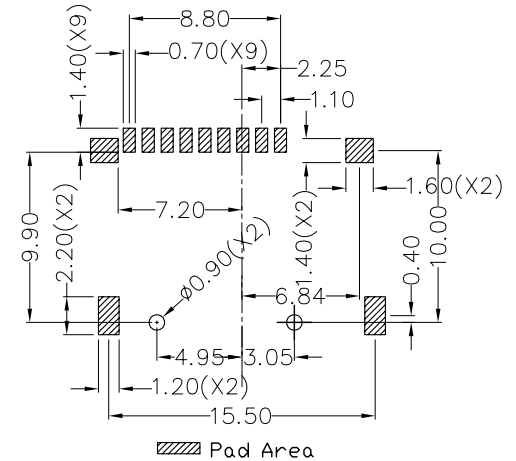
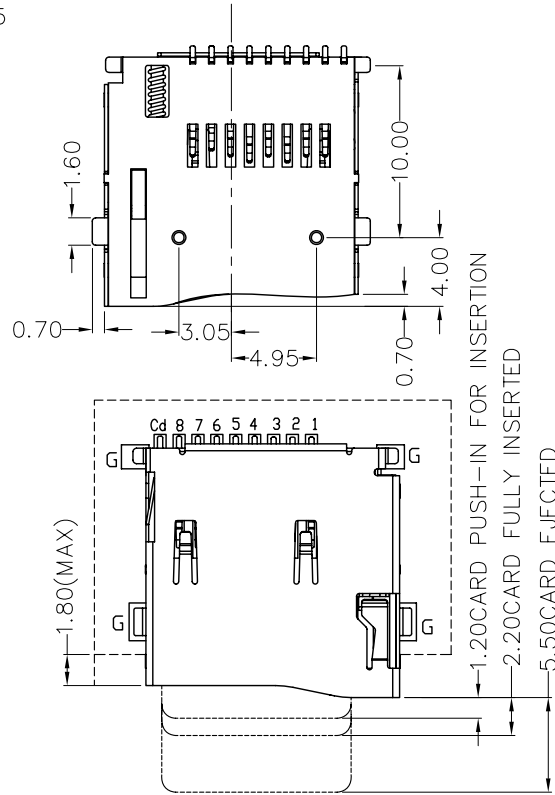
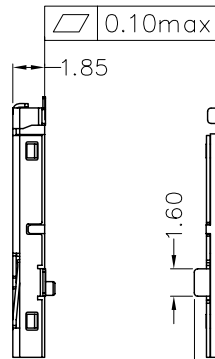
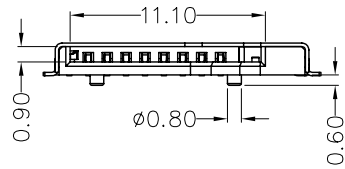
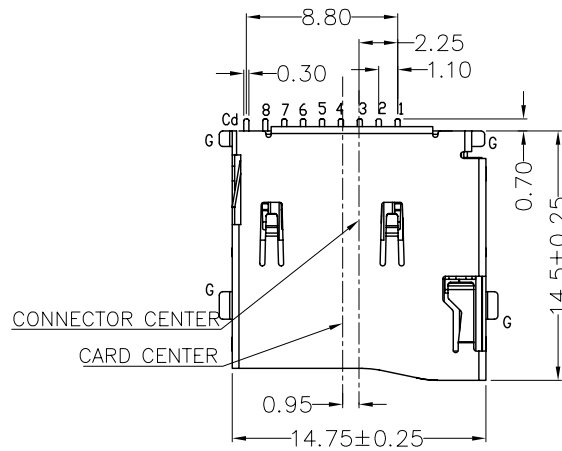


REV.	DESCRIPTION OF REVISIONS	APPR.	DRAW.	RELEASE	DATE
X1					
X2					



RECOMMENDED P.C.B LAYOUT
COMPONENT SIDE(TOLERANCE ±0.05)

Pin No.	Pin assignment	Pin No.	Pin assignment
1	DAT2	5	CLK
2	CD/DAT3	6	VSS
3	CMD	7	DAT0
4	VDD	8	DAT1
Cd	CARD DETECTION	G	GROUND

TECHNICAL CHARACTERISTICS

1.General Characteristics

Dimensions: 14.50LX14.75WX1.85H mm
Weight: Approx 0.45±0.2g
Durability: 5,000 cycles min.

2.Electrical Characteristics

Contact resistance: 50mΩ typical, 100mΩ max
Insulation resistance: >1000MΩ/500V DC

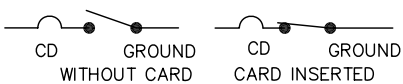
3.Solderability

Vaporphase: 215°C, 30sec.Max
IR reflow: 250°C, 5sec.Max
Manual soldering: 370°C, 3sec.Max

4.Environmental Characteristics

Operating temperature: -40°C~+85°C
Operating humidity: 10%~+95%RH

ELECTRIC FUNCTION	DETECT SWITCH
WITHOUT CARD	OPEN
CARD INSERTED	CLOSED



SWITCH OPERATION DIAGRAM

ITEM	PART NAME	Q'TY	MATERIAL	FINISH
1	HOUSING	1	Hi-temp Thermoplastic	Black UL94V-0
2	TERMINAL	8	Copper Alloy	Contact area:Gold plated
3	SHELL	1	Stainless steel	SMT area:Gold plated
4	DETECT	1	Copper Alloy	Contact area:Gold plated
5	SLIDER	2	Hi-temp Thermoplastic	Black UL94V-0
6	SPRING	1	SWP	
7	CRANK-AXLE	1	Stainless Steel	

Unless otherwise specified, other tolerance are:

X	±0.35	X'	±5'
X.X	±0.25	X.X'	±4'
X.XX	±0.15	X.XX'	±3'
X.XXX	±0.10	X.XXX'	±2'

PROJ. UNIT mm SCALE 1:1

CONNECT MALL
Tel. 1599-6005

NAME: **T-Flash Card Connector**

MODEL NO: **MSDC-M61408**

TYPE: **H=1.85 mm**

DRAWN Zoey Mar.12.2009 DWG NO.: DWG-MSDC-M61408-003

CHECKED Keey Mar.12.2009 SHEET 1/1 REVISION X1

APPROVAL Simon Mar.12.2009

CUSTOMER DRAWING

