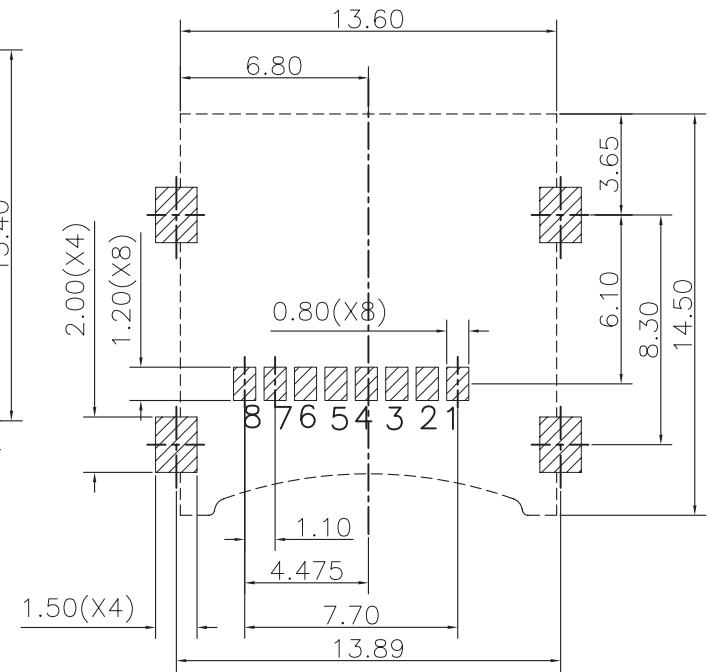
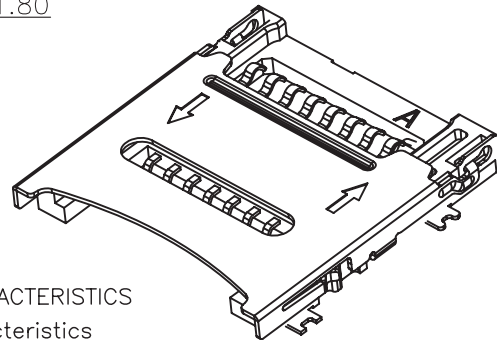
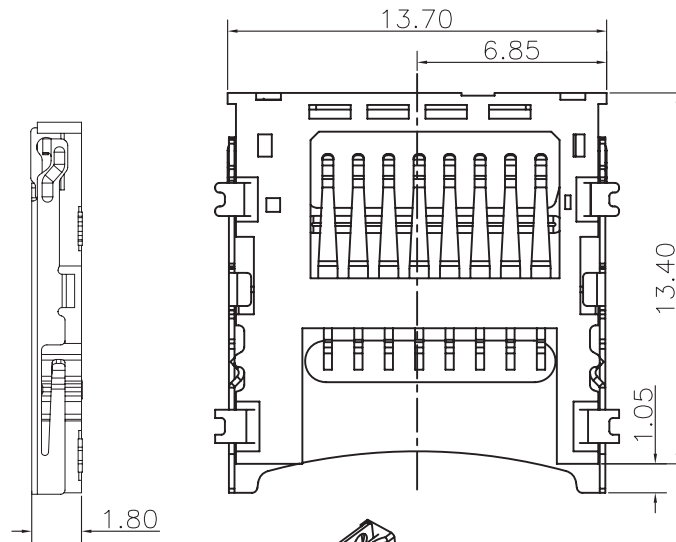
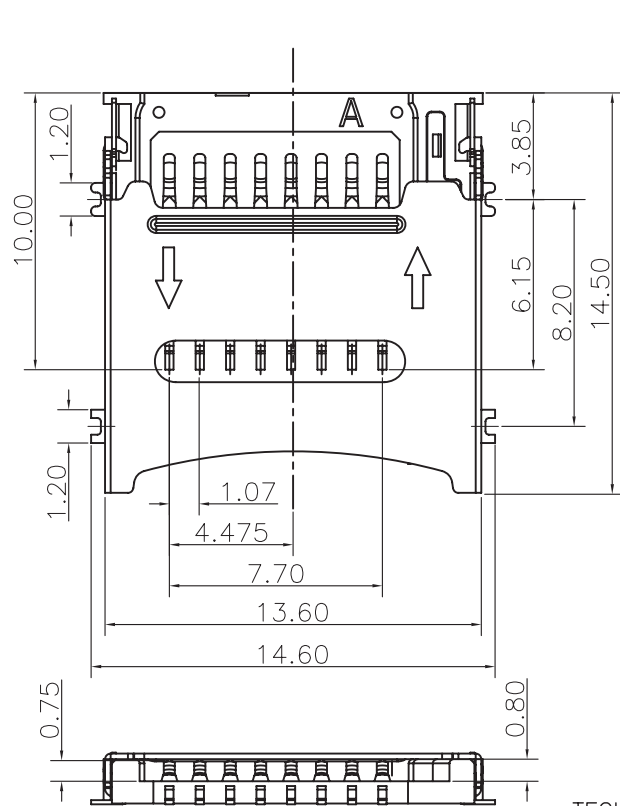


REV.	DESCRIPTION OF REVISIONS	APPR.	DRAW.	RELEASE	DATE
X1					
X2					



RECOMMENDED P.C.B LAYOUT
COMPONENT SIDE(TOLERANCE ±0.05)

TECHNICAL CHARACTERISTICS

1.General Characteristics

Dimensions:14.50LX13.60WX1.80H mm

Weight:Approx0.70g

Durability:5000 cycles min.

2.Electrical Characteristics

Contact resistance: 50mΩ typical,100mΩ max

Insulation resistance:>1000MΩ/500V DC

3.Solderability

IR reflow:260°C,10sec.Max

Manual soldering:370°C,3sec.Max



4.Environmental Characteristics

Operating temperature:-40°C~+85°C

Operating humidity:10%~+95%RH

MicroSD CARD	
Pin No.	NAME
1	DAT2
2	CD/DAT3
3	CMD
4	VDD
5	CLK
6	VSS
7	DAT0
8	DAT1

ITEM	PART NAME	Q'TY	MATERIAL	FINISH
1	HOUSING	1	Hi-temp Thermoplastic	Black UL94V-0
2	DATA CONTACT	8	Copper Alloy	Contact area:Gold plated
3	SHELL	1	Stainless Steel	

Unless otherwise specified, other tolerance are:		 CONNECT MALL T. 1599-6005	
NAME:		MicorSD Card Connector	
MODEL NO:		MSDC-M61608N	
TYPE :		H1.80 mm	
PROJ.	UNIT	SCALE	DRAWN
	mm	1:1	Henry 2015.7.21
CHECKED		DWG NO.:	
APPROVAL		DWG-MSDC-M61608N-003	
CUSTOMER DRAWING		SHEET	
		1/1	
		REVISION	
		X1	

