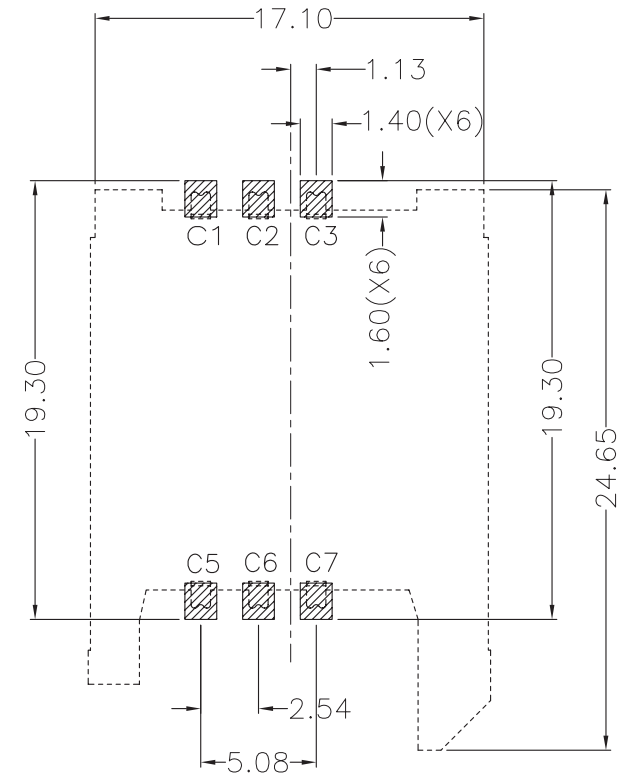
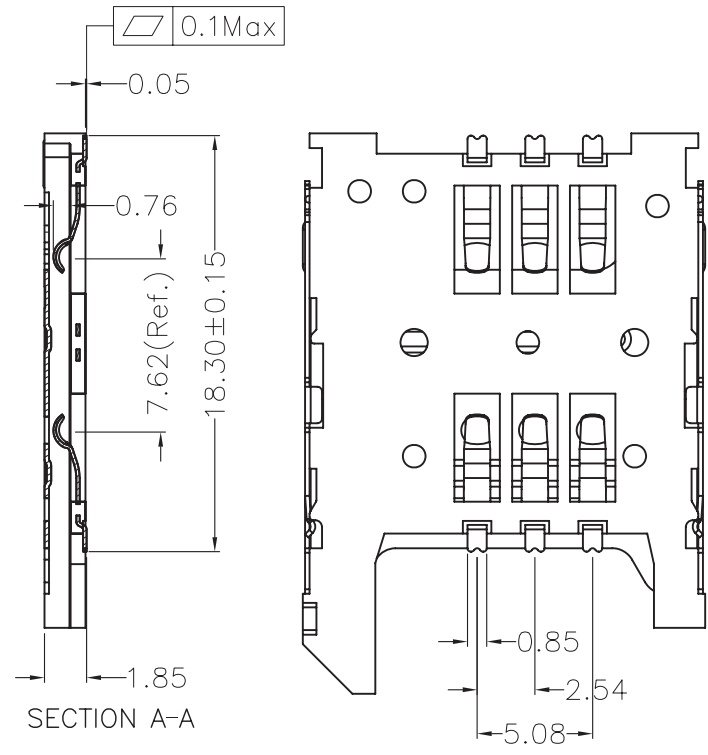
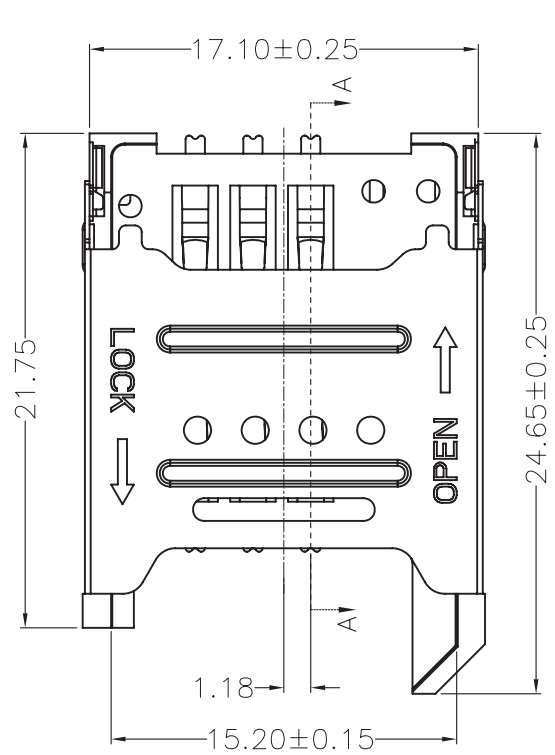


REV.	DESCRIPTION OF REVISIONS	APPR.	DRAW.	RELEASE	DATE
X1					
X2					



RECOMMENDED P.C.B LAYOUT
COMPONENT SIDE(TOLERANCE ±0.05)

TECHNICAL CHARACTERISTICS

1.General Characteristics

Dimensions: 24.65LX17.10WX1.85H mm

Weight: Approx 0.80±0.2g

Durability: 5,000 cycles min.

2.Electrical Characteristics

Contact resistance: 50mΩ typical, 100mΩ max

Insulation resistance: >1000MΩ/500V DC

3.Solderability

Vapor phase: 215°C, 30sec.Max

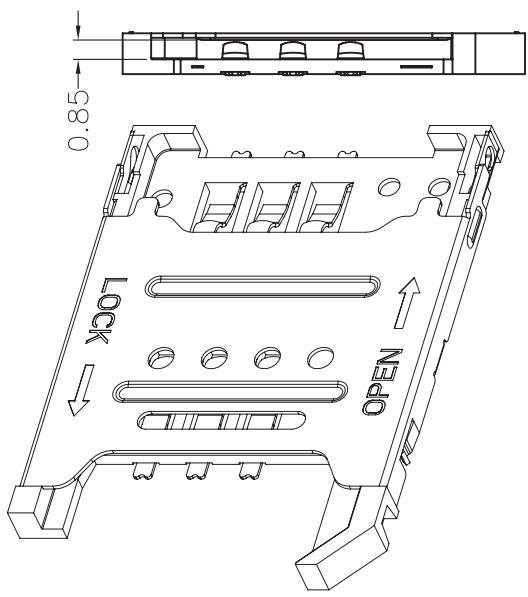
IR reflow: 250°C, 5sec.Max

Manual soldering: 370°C, 3sec.Max

4.Environmental Characteristics

Operating temperature: -40°C~+85°C

Operating humidity: 10%~+95%RH



ITEM	PART NAME	Q'TY	MATERIAL	FINISH
1	BASE	1	Hi-temp Thermoplastic	Black UL94V-0
2	SHELL	1	Stainless steel	
3	DATA CONTACT	6	Copper Alloy	Contact area:Gold plated

Unless otherwise specified, other tolerance are:		 CONNECT MALL Tel. 1599-6005	
NAME: Smart Card Acceptor			
MODEL NO: SIMC-C71706		TYPE: 6pin	
PROJ.	UNIT mm	SCALE 1:1	DRAWN Zoey Feb.02.2012
CUSTOMER DRAWING		CHECKED Jimmy Feb.02.2012	DWG NO.: DWG-SIMC-C71706-003
		APPROVAL Simon Feb.02.2012	SHEET 1/1
			REVISION X1

