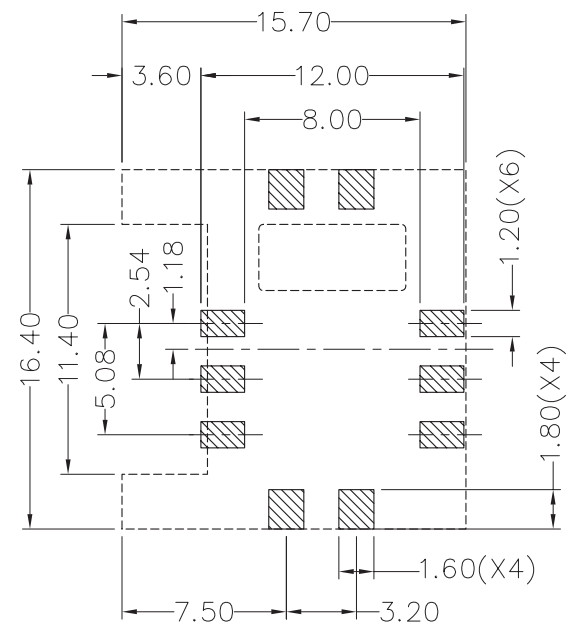
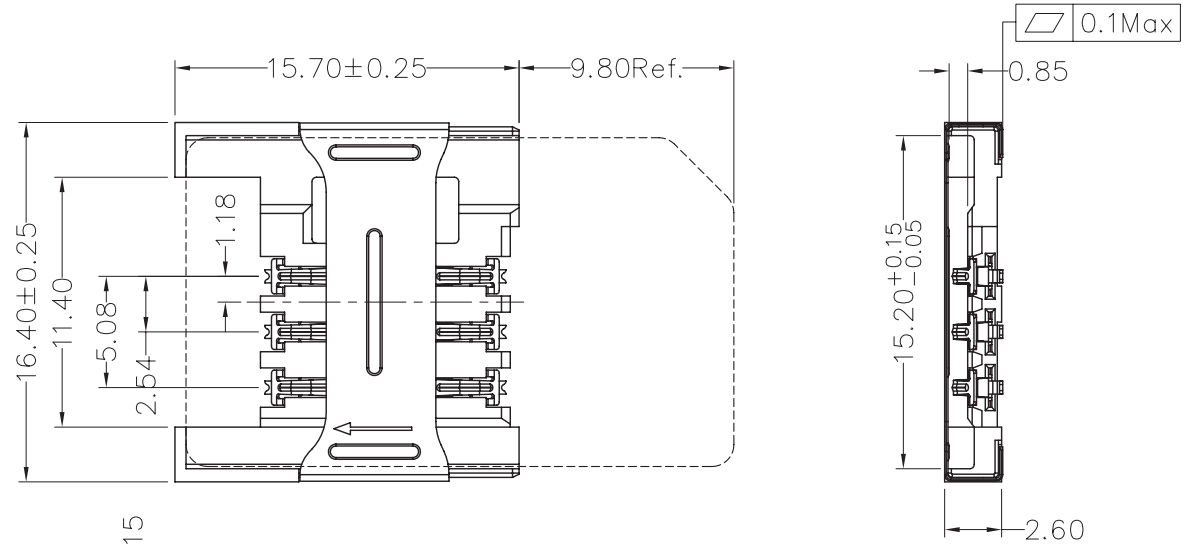


REV.	DESCRIPTION OF REVISIONS	APPR.	DRAW.	RELEASE	DATE
X1					
X2					



RECOMMENDED P.C.B LAYOUT
COMPONENT SIDE(TOLERANCE ±0.05)

TECHNICAL CHARACTERISTICS

1.General Characteristics

Dimensions: 15.70LX16.40WX2.60H mm

Weight: Approx 0.50±0.2g

Durability: 5,000 cycles min.

2.Electrical Characteristics

Contact resistance: 50mΩ typical, 100mΩ max

Insulation resistance: >1000MΩ/500V DC

3.Solderability

Vaporphase: 215°C, 30sec.Max

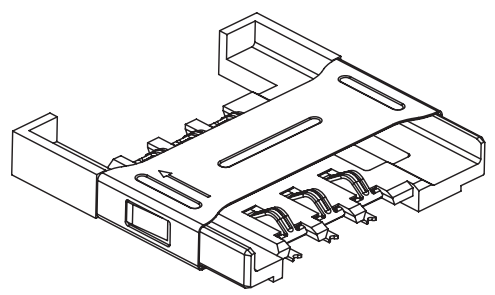
IR reflow: 250°C, 5sec.Max

Manual soldering: 370°C, 3sec.Max

4.Environmental Characteristics

Operating temperature: -40°C~+85°C

Operating humidity: 10%~+95%RH



ITEM	PART NAME	Q'TY	MATERIAL	FINISH
1	HOUSING	1	Hi-temp Thermoplastic	Black UL94V-0
2	DATA CONTACT	6	Copper Alloy	Contact area:Gold plated
3	SHELL	1	Stainless Steel	SMT area:Gold plated

Unless otherwise specified, other tolerance are:

X	±0.35	X*	±5*
X.X	±0.25	X.X*	±4*
X.XX	±0.15	X.XX*	±3*
X.XXX	±0.10	X.XXX*	±2*

CONNECT MALL
Tel. 1599-6005

Smart Card Acceptor

MODEL NO: **SIMC-C74206**

TYPE : **H2.60 (shorter tail)**

PROJ.	UNIT	SCALE	DRAWN	Zoey Dec.07.2009	DWG NO.:
	mm	1:1	CHECKED	Sean Dec.07.2009	DWG-SIMC-C74206-001
CUSTOMER DRAWING			APPROVAL	Simon Dec.07.2009	SHEET
					1/1
					REVISION
					X1

