

SPECIFICATION FOR APPROVAL

CUSTOMER _____

DESCRIPTION 2.4GHz MINI Stubby Rubber Antenna with straight SMA Male

PART NO. DANT-00RPR-BX

DATE _____

DESIGNER		DIRECTOR	
-----------------	--	-----------------	--

Approved by Customer/date:

ANTENNA SPECIFICATIONS FOR APPROVAL

1. GENERAL DESCRIPTION

- 1.1 Type No. : **DANT-00RPR-BX** (Reverse-SMA Male)
1.2 Customer P/N :

2. DESCRIPTION & APPLICATION

2.4GHz Rubber Stubby Antenna with straight SMA Male connector

3. ELECTRICAL CHARACTERISTICS

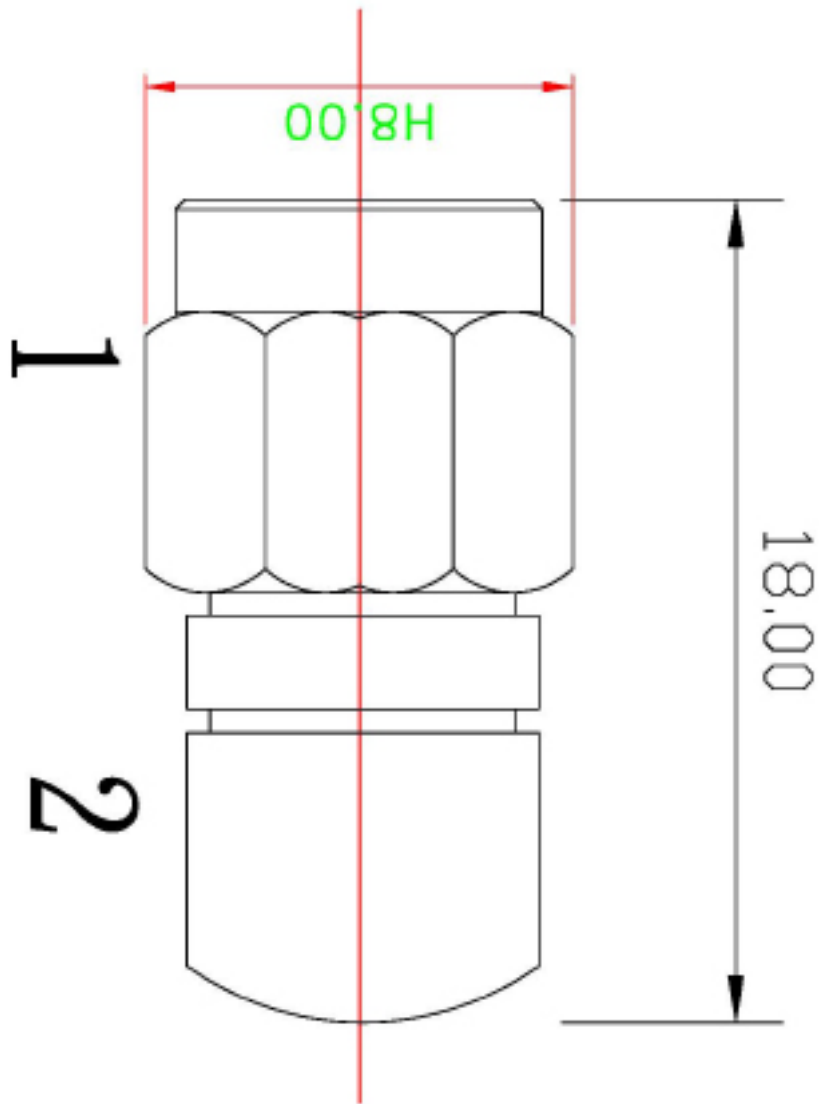
- 3.1 Frequency Range : 2.4GHz (2.4~2.5GHz)
3.2 Electric Wave : 1/4, Monopole Antenna
3.3 V.S.W.R : < 2
3.4 Impedance : 50 Ω , Nominal
3.5 Gain : 0dBi
3.6 Connector : DANT-00RPR-BX (Reverse-SMA Male)

4. PACKING STYLE

Poly Bag



5. APPEARANCE DRAWING



6. Test Environment



7. Test Report – VSWR and Return Loss

