

PRODUCT APPROVAL SHEET

CUSTOMER : CHIPSEN.CO.LTD

CUSTOMER P/N : None

MODEL P/N : STB-01SPR-BX

	MANUFACTURER SIGNATURE	CUSTOMER SIGNATURE
APPROVED BY :	<i>Winston Cheng</i>	
DATE :	2012.03.22	

Contents

1. Specification	3
2. Product Drawing.....	4
3. Test Report.....	5
4. Packing Description.....	8

2.4~2.5GHz Mini Omni Antenna, 1.5dBi Gain, WiFi 802.11b/g/n Band, SMA Plug (male)



Features & Applications

- WiFi 802.11b/g/n band 2400~2500MHz complacent.
- High throughput results on indoor AP.
- 1.5dBi gain value for outdoor/indoor device available.
- Suit for Access Point, Router, Wireless XDSL modem, media adapter of extended wireless coverage.
- Cover WiFi 2.4GHz proprietary wireless indoor projects.
- 1x1/2x2/3x3 MIMO technologies enabled.

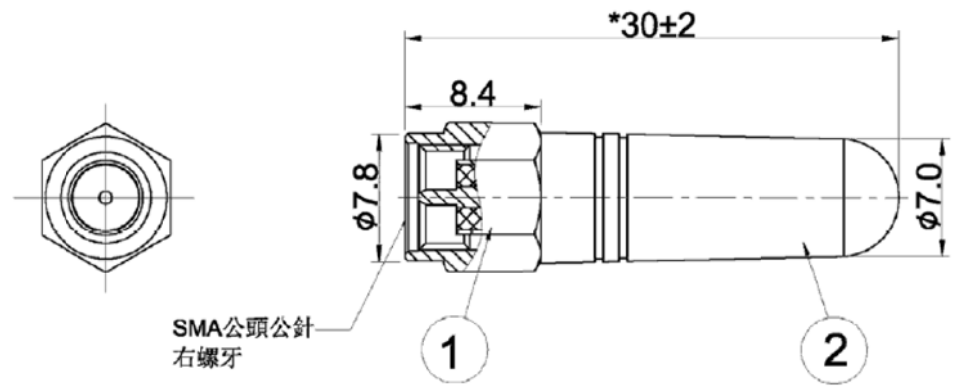
Electrical Specifications

Frequency Range:	2.4~2.5GHz
Peak Gain:	1.5 dBi typ.
VSWR:	2.0:1 max.
Impedance:	50 Ω
Polarization:	Linear, Vertical
BW/Azimuth:	360 °
BW/Elevation:	70 °
Front to Back Ratio:	N/A
Max. Power Input:	10 W
Connector:	SMA Plug (male)

Mechanical Specifications

Dimensions:	ϕ 9xL30 mm
Weight:	3.5g
Color:	Black
Mounting:	Direct mount
Accessories:	N/A
Wind Speed Load:	N/A
Temperature:	-30°C ~ +80°C
Waterproof:	N/A
Radome Material:	TPE
Warranty:	1 Year

Rev.	Date	Description
A	2012.03.23	New issue

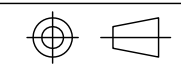


SMA公頭公針
右螺牙

XXX.	±2.0
XX.	±1.0
X.	±0.5
.X	±0.2
.XX	±0.1

2	Antenna Tube	ABS+PA	1	Black
1	SMA Plug Connector	Brass	1	Gold-Plated
No.	Description	Material	Q'ty	Remark

Approved	Product Name. Omni Antenna for 2.4~2.5GHz		
	Model No. STB-01SPR-BX		
Drawing	Unit	mm	Sheet
Hank Huang	Scale	2:1	1/1



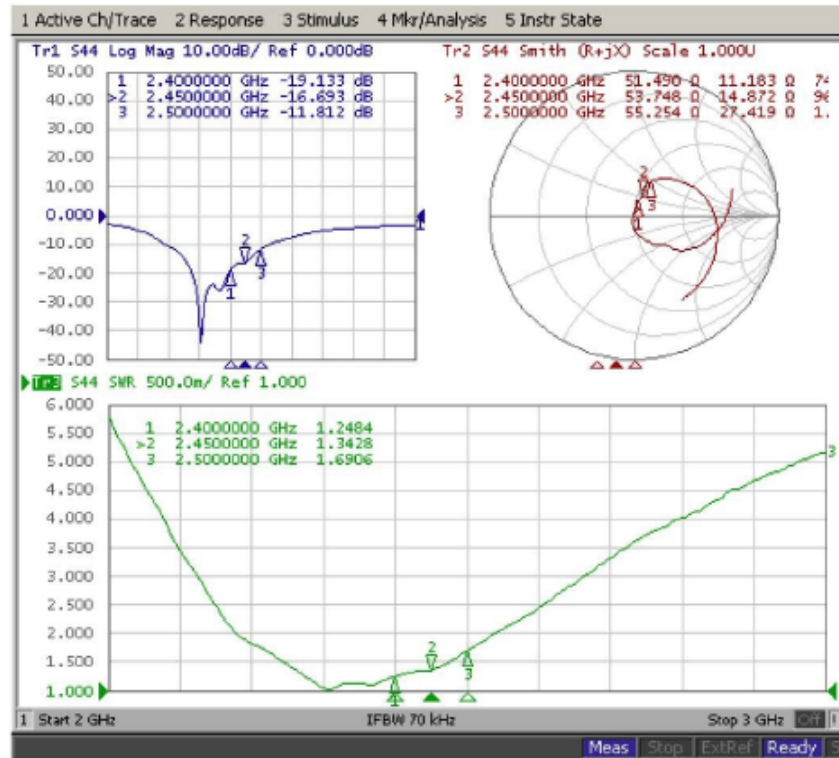
STB-01SPR-BX

1dBi Omni Antenna

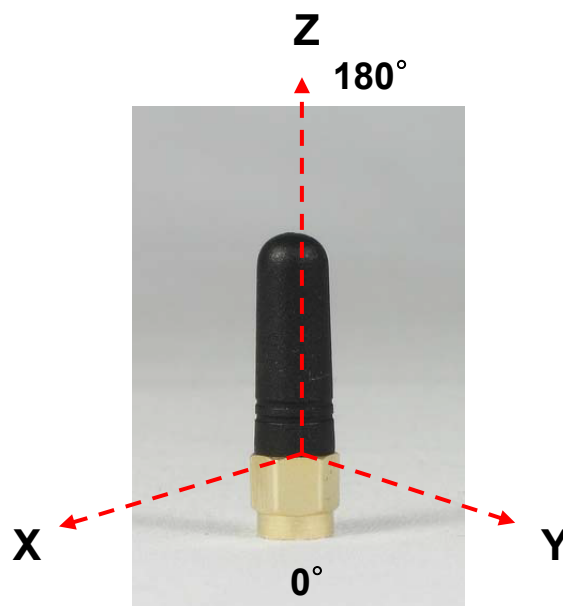
TEST REPORT

Product Description:	1dBi Omni Antenna for 2400~2500 MHz
Revision:	V1
Date:	2011.09.29
Report by:	Alex

#1. VSWR MEASUREMENT RESULT

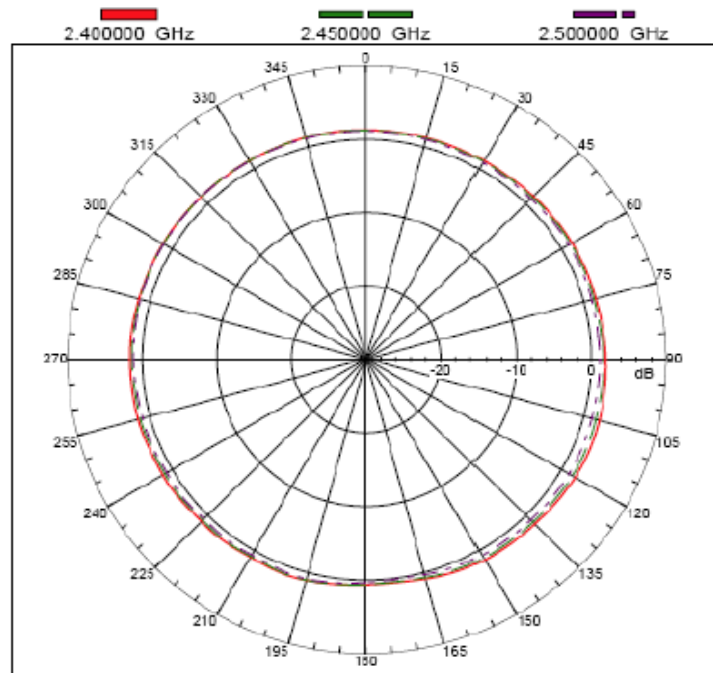


#2. RADIATION MEASUREMENT ORIENTATION

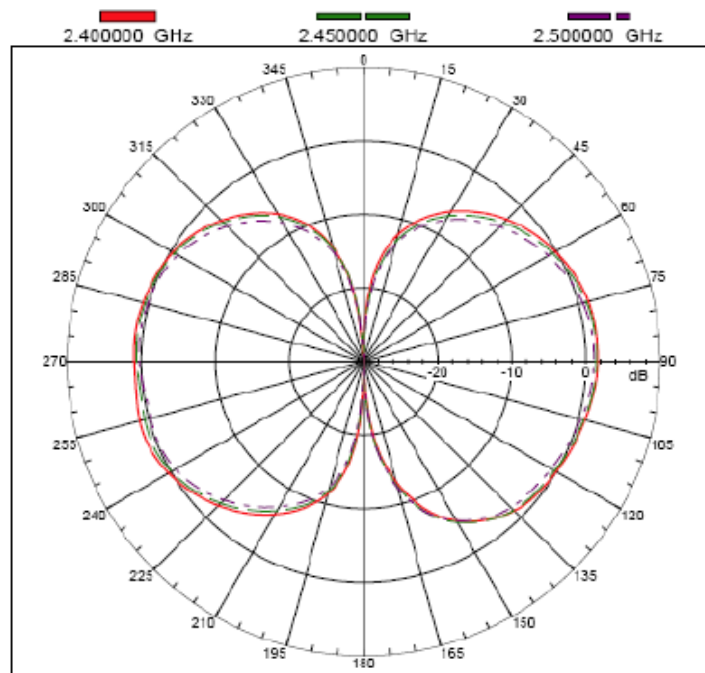


#3. RADIATION PATTERN MEASUREMENT RESULT

AZIMUTH (X-Y Plane)



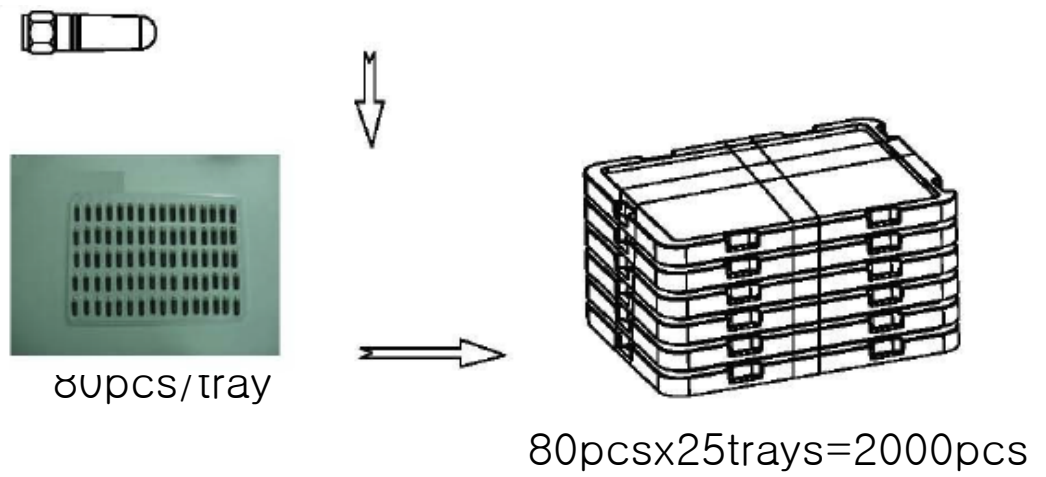
ELEVATION (X-Z Plane)



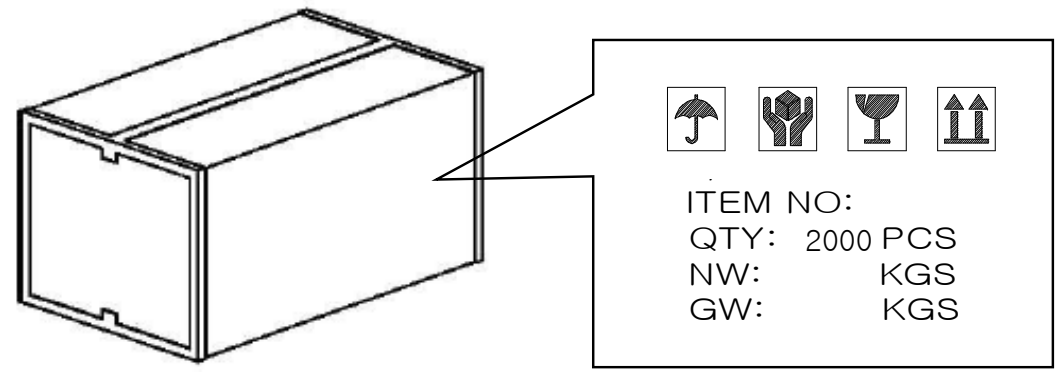
Packing Description

Description

Name	Spec	Quantity
Carton	290x230x330 mm	2000 pcs.



Total Q'ty	2000pcs.	Weight	3.5g/pcs
N.W.	7.4KG	Dimension	φ9*L30mm
G.W.	7.9KG		



ITEM NO.:
Q'TY.: PCS
N.W.: KGS
G.W.: KGS

C/NO:

REV	DESCRIPTION	DATE	APPROVED	Customer	Chipsen	Date	2011/10/26	Packing Description
A	New issue	2011/10/26	CHECKED	Customer P/N		Version	A	P/N : STB-01SPR-BX
			DRAWING					
			Hank					

