

BoT-cDA110DS

Dimension

V 1.0.0

History

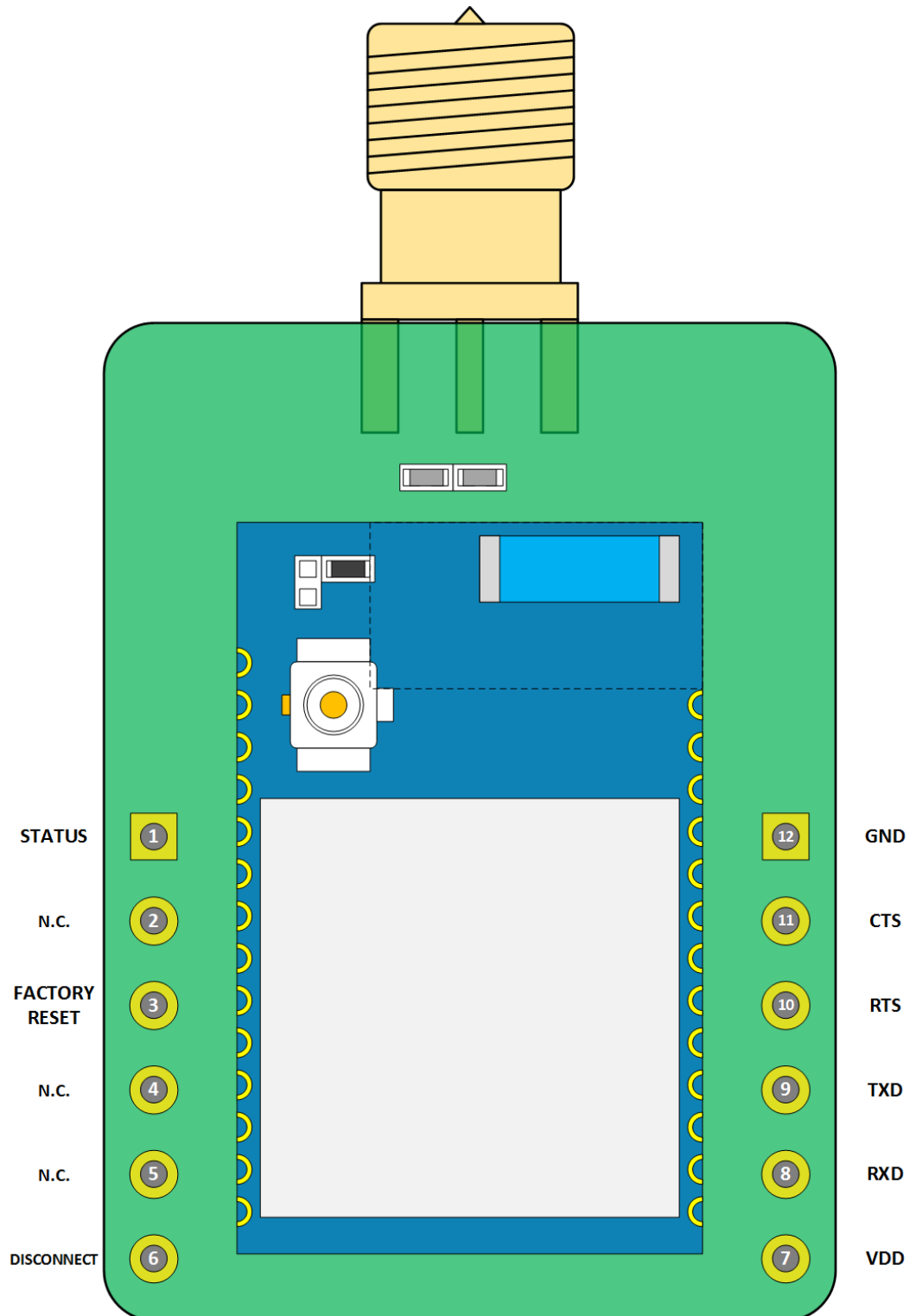
Rev	Date	Description	Author
1.0.0	2022. 09. 23	- First release	Enoch

Table of Contents

1. Pin configuration & PIN Description	4
1.1 Pin Configuration	4
1.2 PIN Description	5
1.3 DC Characteristics	5
1.4 Dimensions	6
2. Application Schematic	7
2.1 Reference Application	7

1. Pin configuration & PIN Description

1.1 Pin Configuration



1.2 PIN Description

Pin No.	Pin Name	Pin Function	Description
1	STATUS	DIGITAL OUPUT	cDA110 module Status indicate; Inquiry, Scan, Connected, Factory reset More information refer to AT command Document.
2	N.C.	Not Connect	
3	FACTORY RESET	DIGITAL INPUT	When high level maintained for more than 1 seconds, the factory reset is performed.
4	N.C.	Not Connect	
5	N.C.	Not Connect	
6	DISCONNECT	DIGITAL INPUT	When high level is detected device is disconnected.
7	VDD	POWER	Main Power. typ. DC 3.3V
8	UART RXD	DIGITAL INPUT	UART Receive Data
9	UART TXD	DIGITAL OUTPUT	UART Transmit Data
10	UART RTS	UART RTS	UART Request to Send
11	UART CTS	UART CTS	UART Clear to Send
12	GND	GROUND	Ground

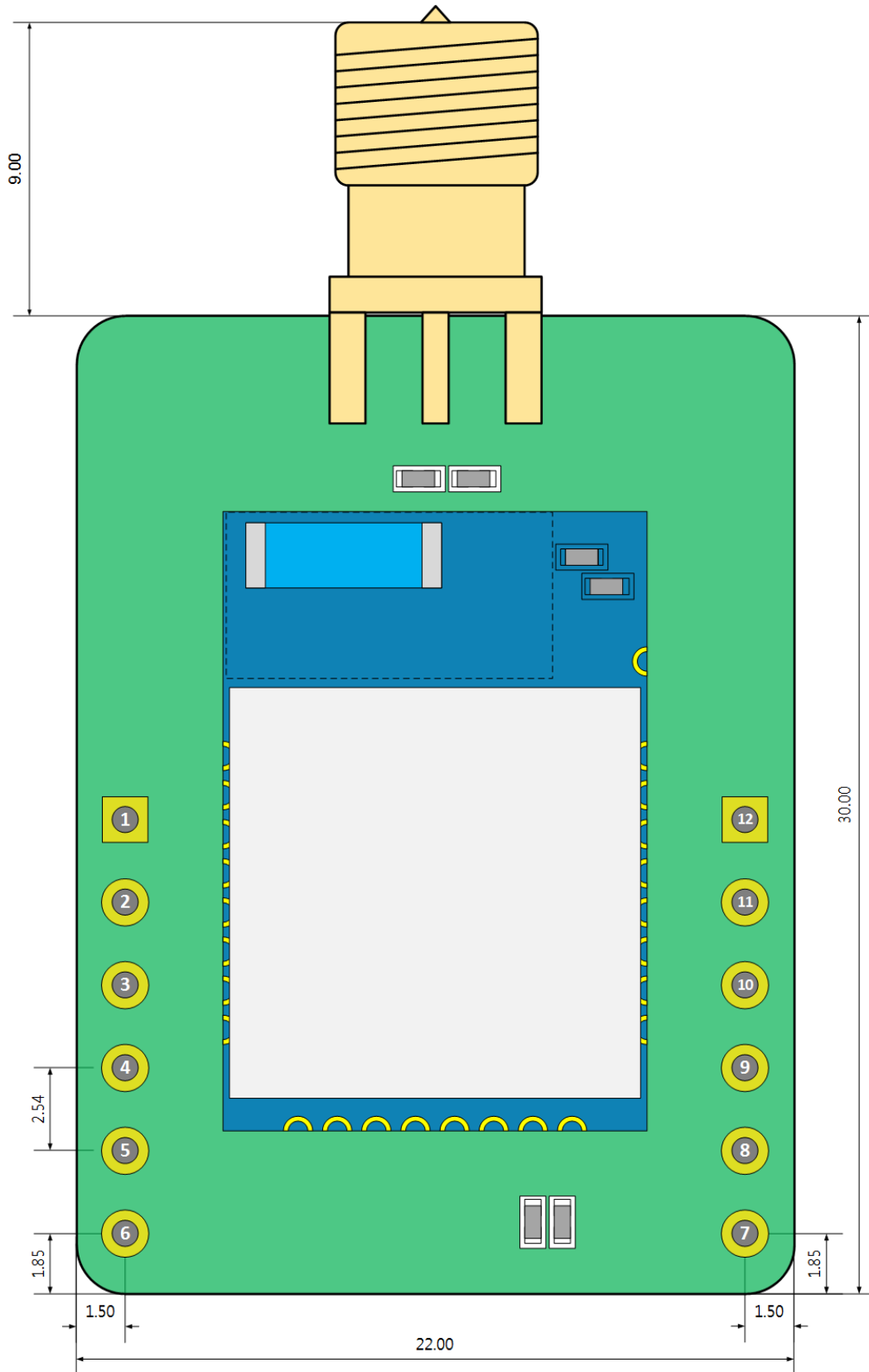
1) ALL I/O function operate on CHIPSEN commercial firmware.

2) For more information refer to CHIPSEN commercial firmware document.

1.3 DC Characteristics

Symbol	Parameter (condition)	Min.	Typ.	Max.	Units
VDD	Main Power	2.7	3.0	3.6	V
V _{IH}	Input high voltage (VDD=3V)	2.4		VDD	V
V _{IL}	Input low voltage (VDD=3V)	-		0.45	V
V _{OH}	Output high voltage	VDD-0.45		VDD	V
V _{OL,HDH}	Output low voltage	VSS		0.45	V
R _{PU}	Internal Pull-up resistance		45		kΩ
R _{PD}	Internal Pull-down resistance		45		kΩ

1.4 Dimensions



2. Application Schematic

Design consideration

- All I/O(including UART) should be up after VCC applied.
- All I/O(including UART) should NOT be present fast or be held high before VCC is high.

2.1 Reference Application

