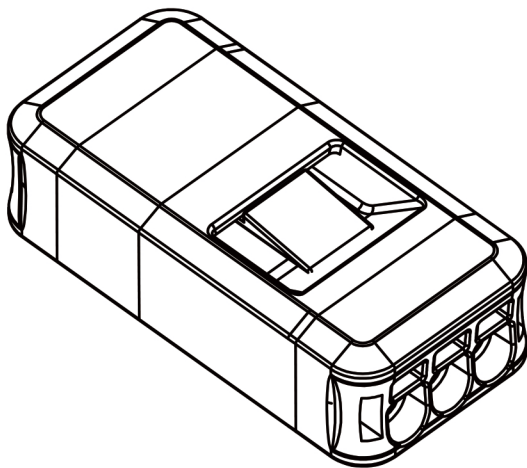
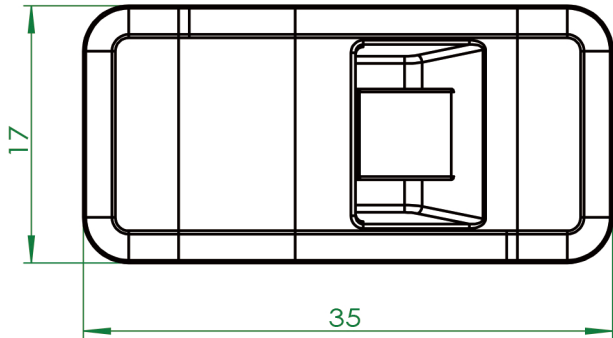
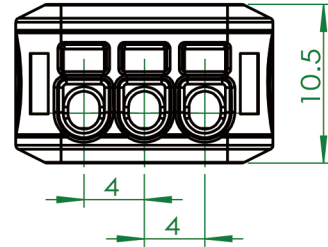
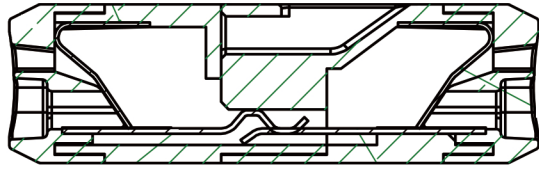


4

3

2

1

**Model****DS-3-3**

Appearance Specification

Reference Standard

IEC

Rated Voltage

450V

Rated Current

24A

Wire Diameter

0.5-2.5mm²

Voltage Resistance

4kV

Mechanical Properties

Ambient Temperature

-40°C~+105°C

Strip Length

11-13mm

L / W / H

35×17×10.5

The number of poles

3P

Lid Color



Plastic Parts

PC,UL94,V-2

Sharpnel

S301

Conductor Material

T2

CHIPSEN**DS-3-3**

4

3

2

1