

8 7 6 5 4 3 2 1

NOTE: THIS DRAWING WAS PRODUCED BY COMPUTER, DO NOT UPDATE MANUALLY

REV.	ECN NO.	DESCRIPTION	DESIGN	DATE
A0			Frank	2018.01.31

F

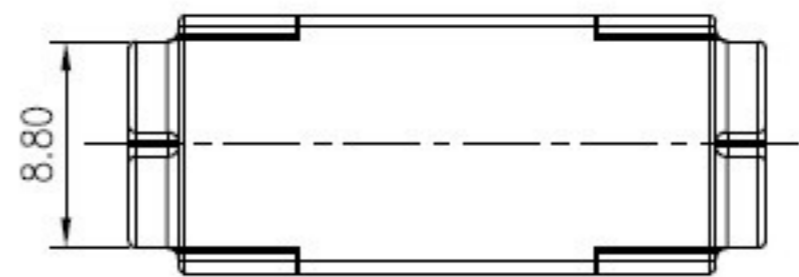
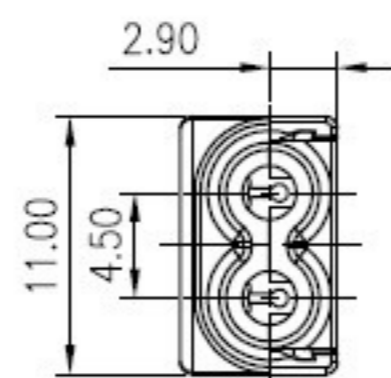
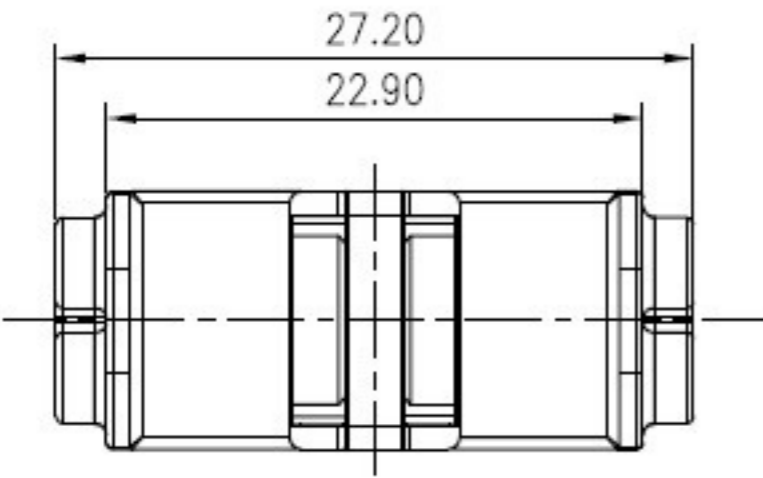
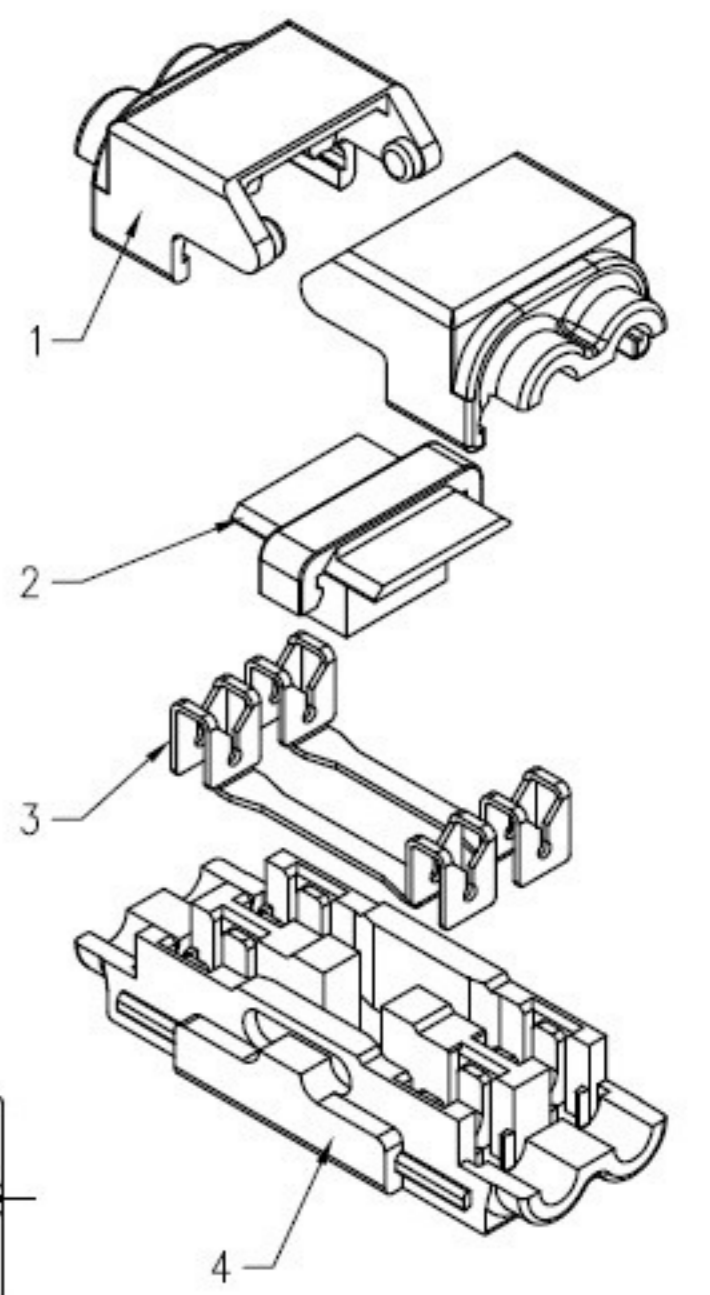
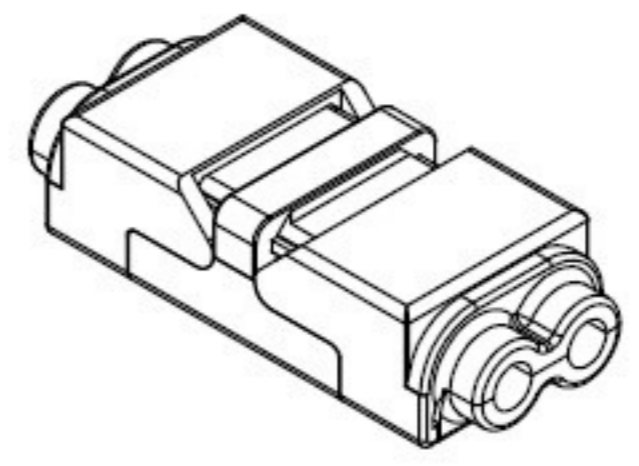
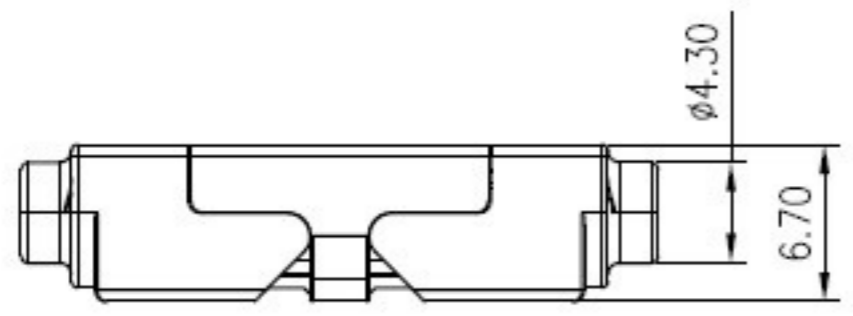
E

D

C

B

A



ITEM	DESCRIPTION	Q' TY	MATERIAL
4		1	PC+ABS (UL94 V-0)
3		2	C5191 H, T=0.30mm
2		1	PC+ABS (UL94 V-0)
1		2	PC (UL94 V-1)

GENERAL TOLERANCE		2018.01.31	UNITS mm	SCALE 1:1
.X	±0.35	X? ?'	REV. A0	SHEET 1/1
.X	±0.25	.X' ?'	SIZE A4	C
.XX	? . 20	.XX' ?'	Frank	

CHIPSEN	
품명	I2-2