

4

3

2

1

F

F

E

E

D

D

C

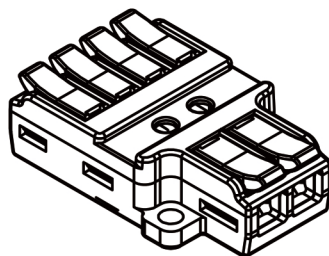
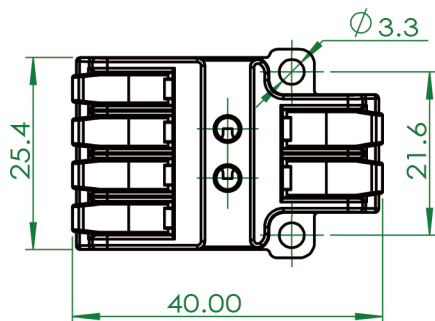
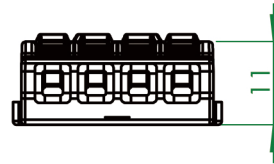
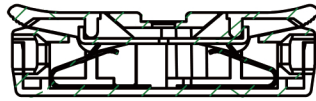
C


B

B

A

A



Model	PCT-2-4W
Appearance Specification	
Reference Standard	IEC
Rated Voltage	450V
Rated Current	32A
Wire Diameter	0.5-6mm ²
Voltage Resistance	4kV
Mechanical Properties	
Ambient Temperature	-40°C~+105°C
Strip Length	12-14mm
L / W / H	40×27.6×11
The number of poles	2P
Lever Color	
Plastic Parts	PC,UL94,V-2
Sharpnel	S301
Conductor Material	T2

CHIPSEN

PCT-2-4W

4

3

2

1