

4

3

2

1

F

F

E

E

D

D

C

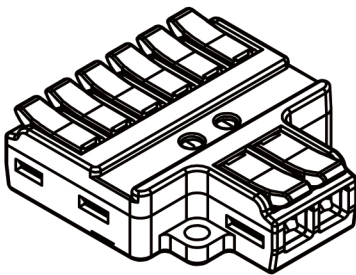
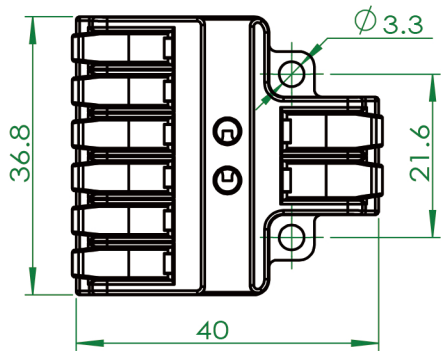
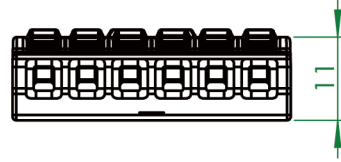
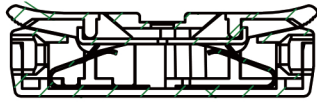
C

B

B

A

A



<b>Model</b>	<b>PCT-2-6W</b>
Appearance Specification	
Reference Standard	IEC
Rated Voltage	450V
Rated Current	32A
Wire Diameter	0.5-6mm <sup>2</sup>
Voltage Resistance	4kV
<b>Mechanical Properties</b>	
Ambient Temperature	-40°C~+105°C
Strip Length	12-14mm
L / W / H	40×36.8×11
The number of poles	2P
Lever Color	<span style="color: red;">●</span> <span style="color: blue;">●</span>
Plastic Parts	PC,UL94,V-2
Sharpnel	S301
Conductor Material	T2

CHIPSEN

PCT-2-6W

4

3

2

1