

4

3

2

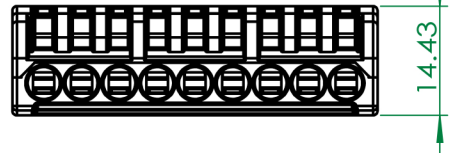
1

F

F

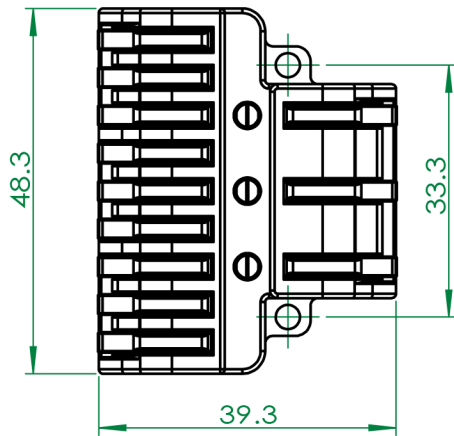
E

E



D

D

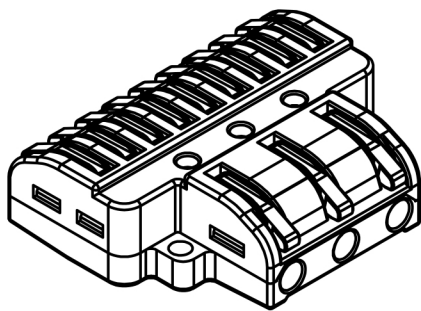


SPECIFICATIONS

- Applicable wires : 28-12AWG(0.5-4mm)
- Temperature range : -40°C+105°C
- Voltage rating : 250V/600V
- Current rating : 32A
- Contact resistance : $\leq 0.015 \Omega$
- Insulation resistance : $\geq 1000M\Omega$

C

C



B

B

A

A

CHIPSEN

PCT-3-9

4

3

2

1